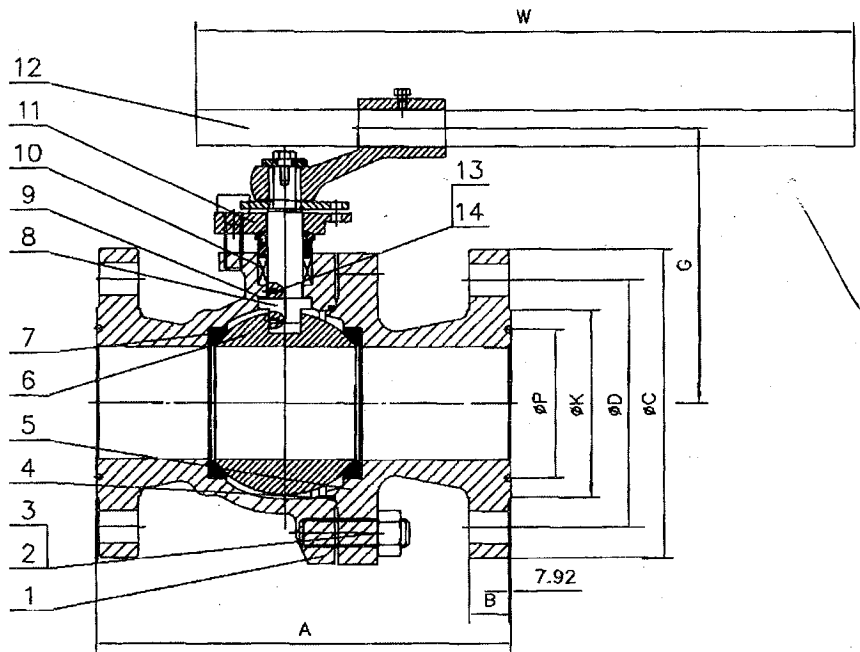
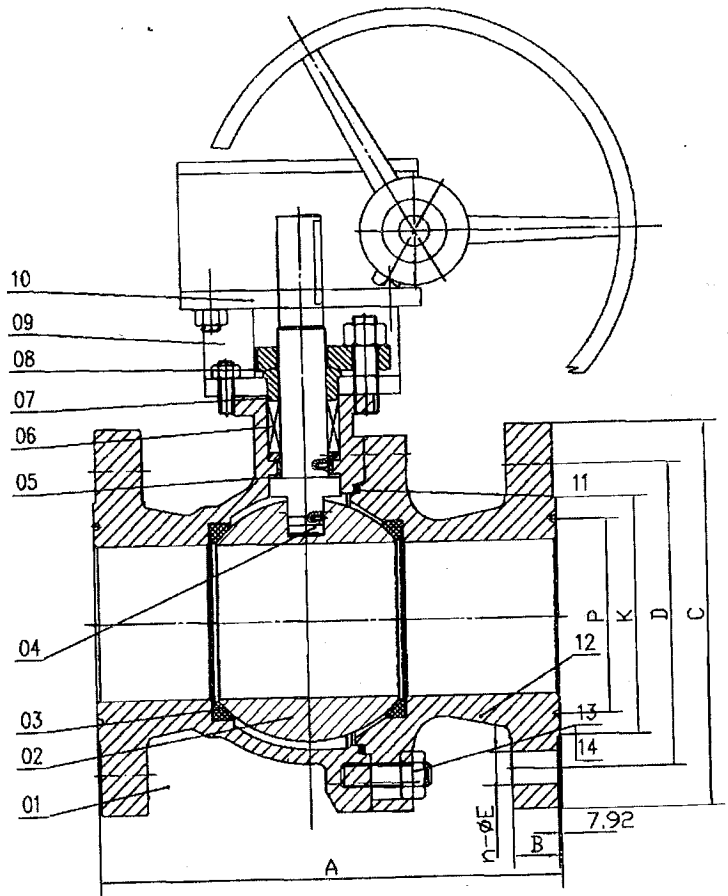


3" X 600 #



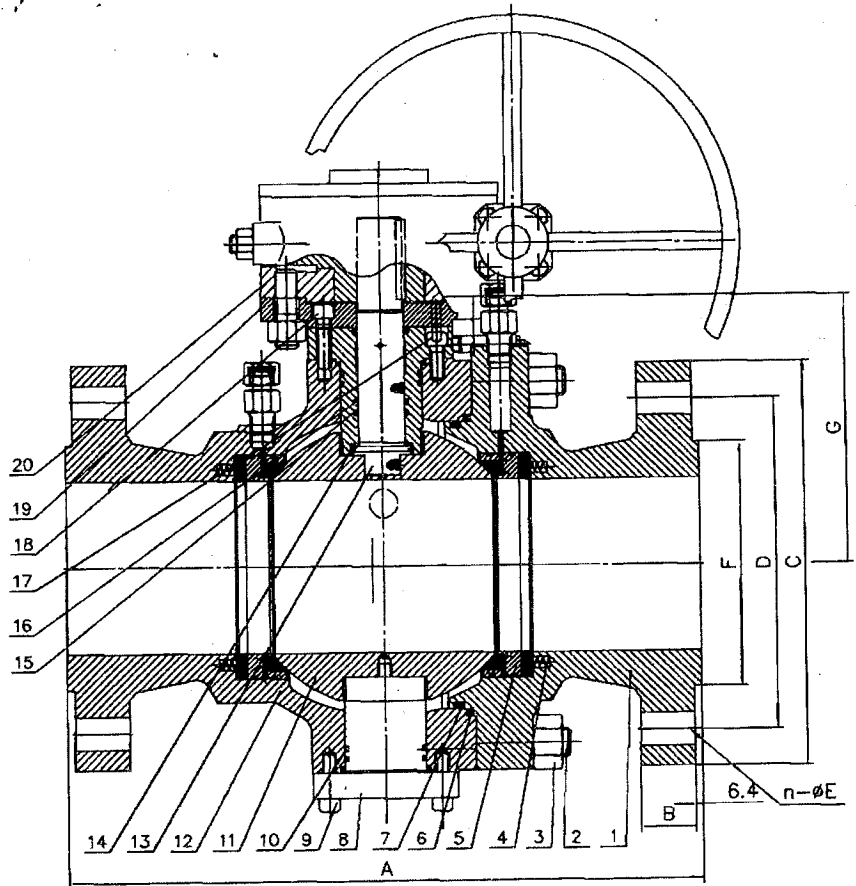
SIZE	A	B	C	D	E	K	P	G	W	Weight (Kg)	
3"	359	32	210	168	8	22	146	124	225	700	48
4"	435	38	273	216	8	25	175	149	262	900	80

4" X 600 #



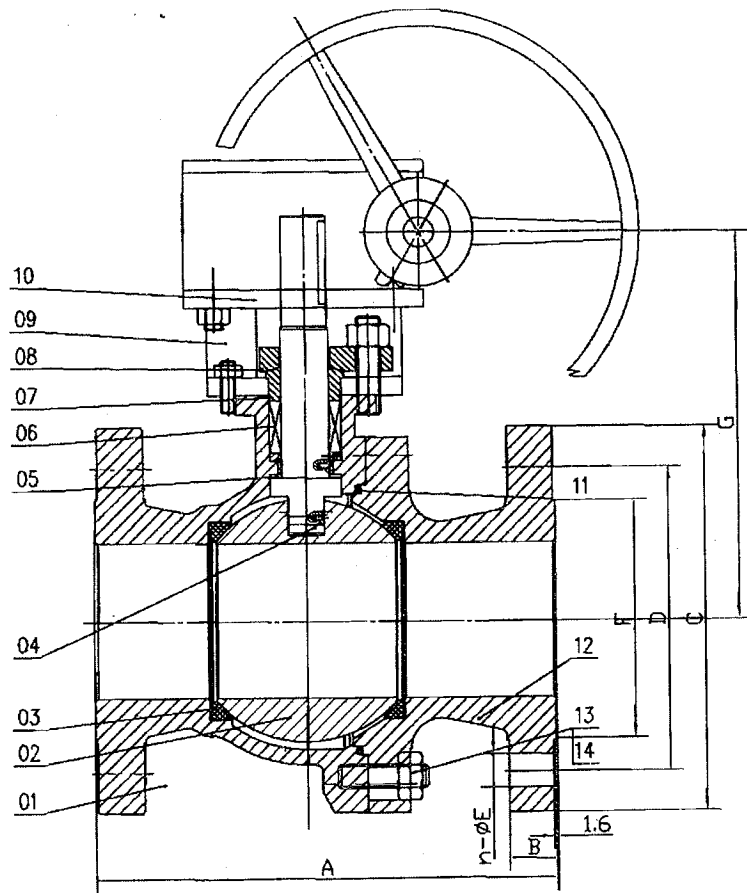
SIZE	A	B	C	D	NR. OF	E	K	P
4"	435	38	273	216	8	25	175	149

6" X 600 #



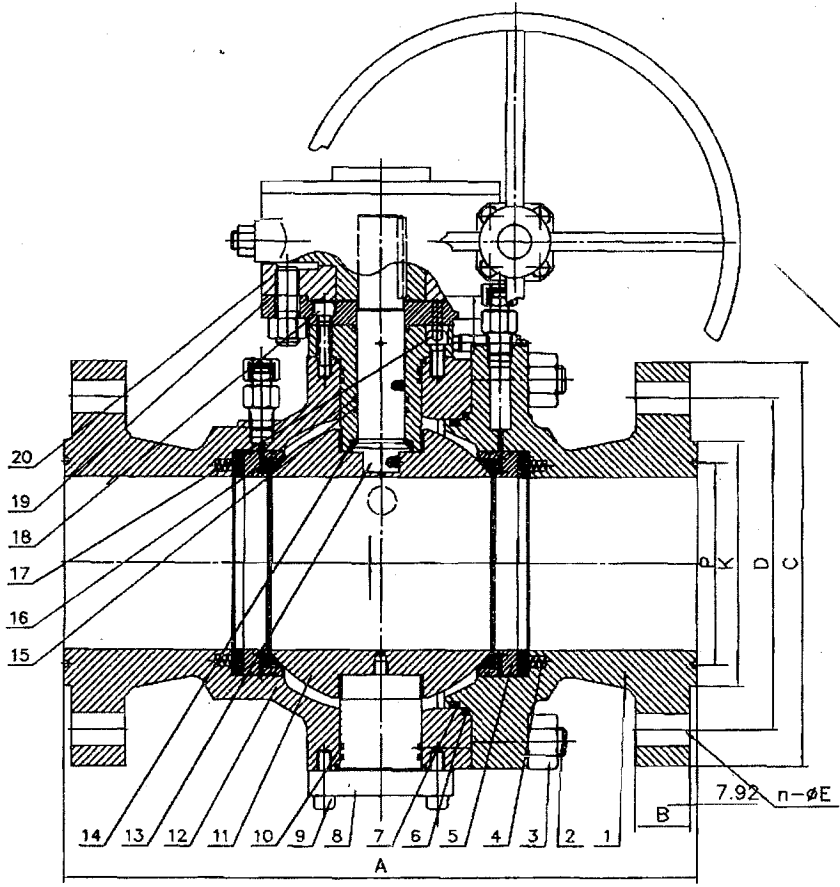
SIZE	A	B	C	D	n	E	F	G	Weight(Kg)
6"	559	48	356	292	12	29	216	235	232

6" X 300 #



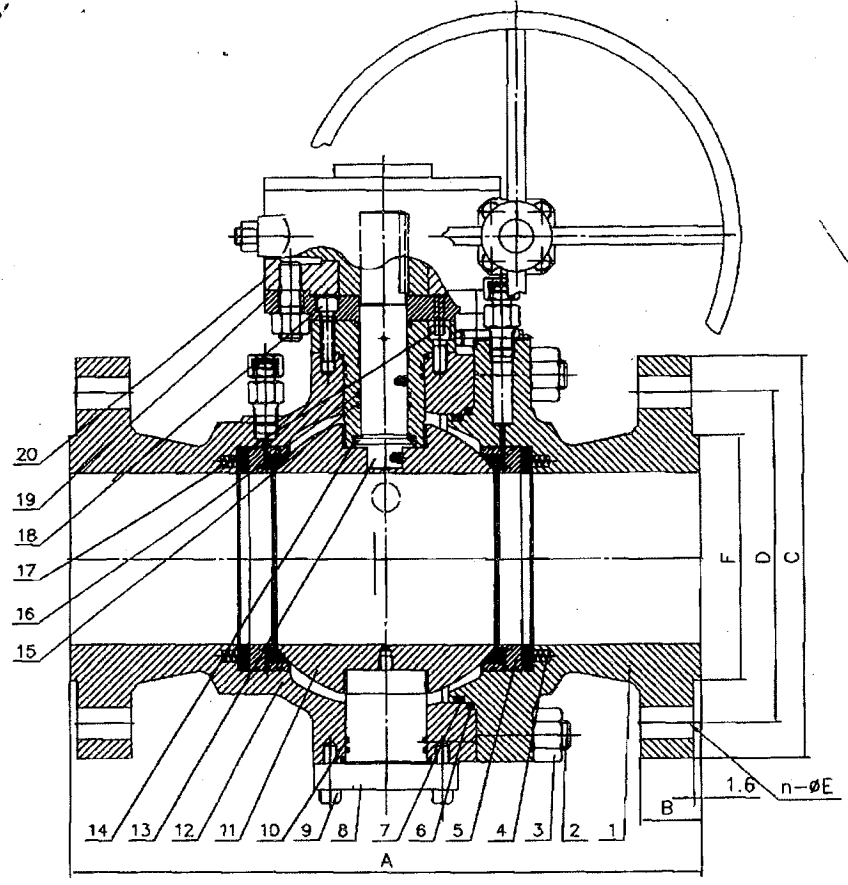
SIZE	A	B	C	D	NO. OF	E	F	G
6"	403	37	318	270	12	22	216	310

8" X 600 #



SIZE	A	B	C	D	n	E	K	P
6"	562	48	356	292	12	29	241	211
8"	664	56	419	349	12	32	302	270

10" X 300 #



SIZE	A	B	C	D	n	E	F
10"	568	48	445	387.5	16	29	324

457

This should be short pattern.  
 A = 457 mm.