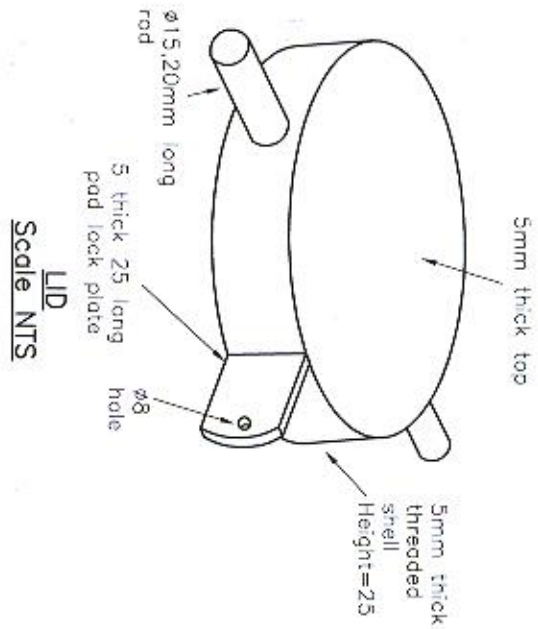
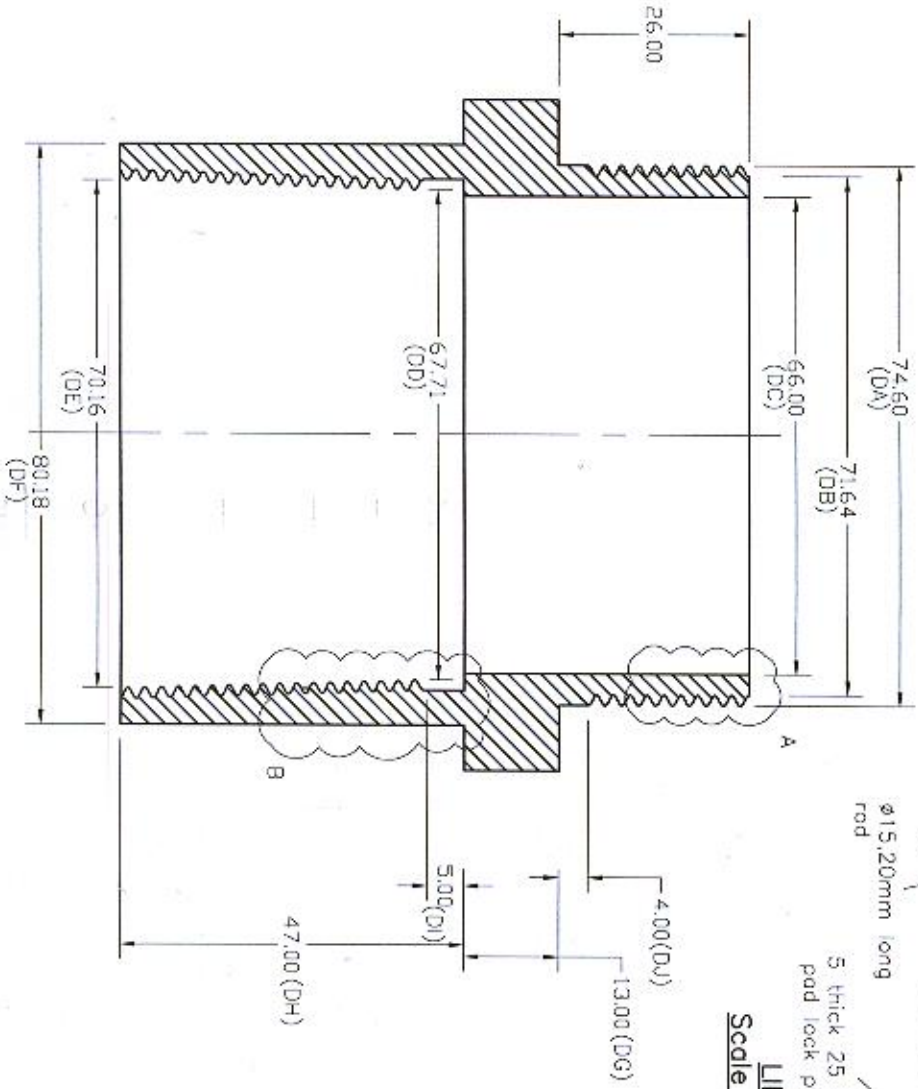


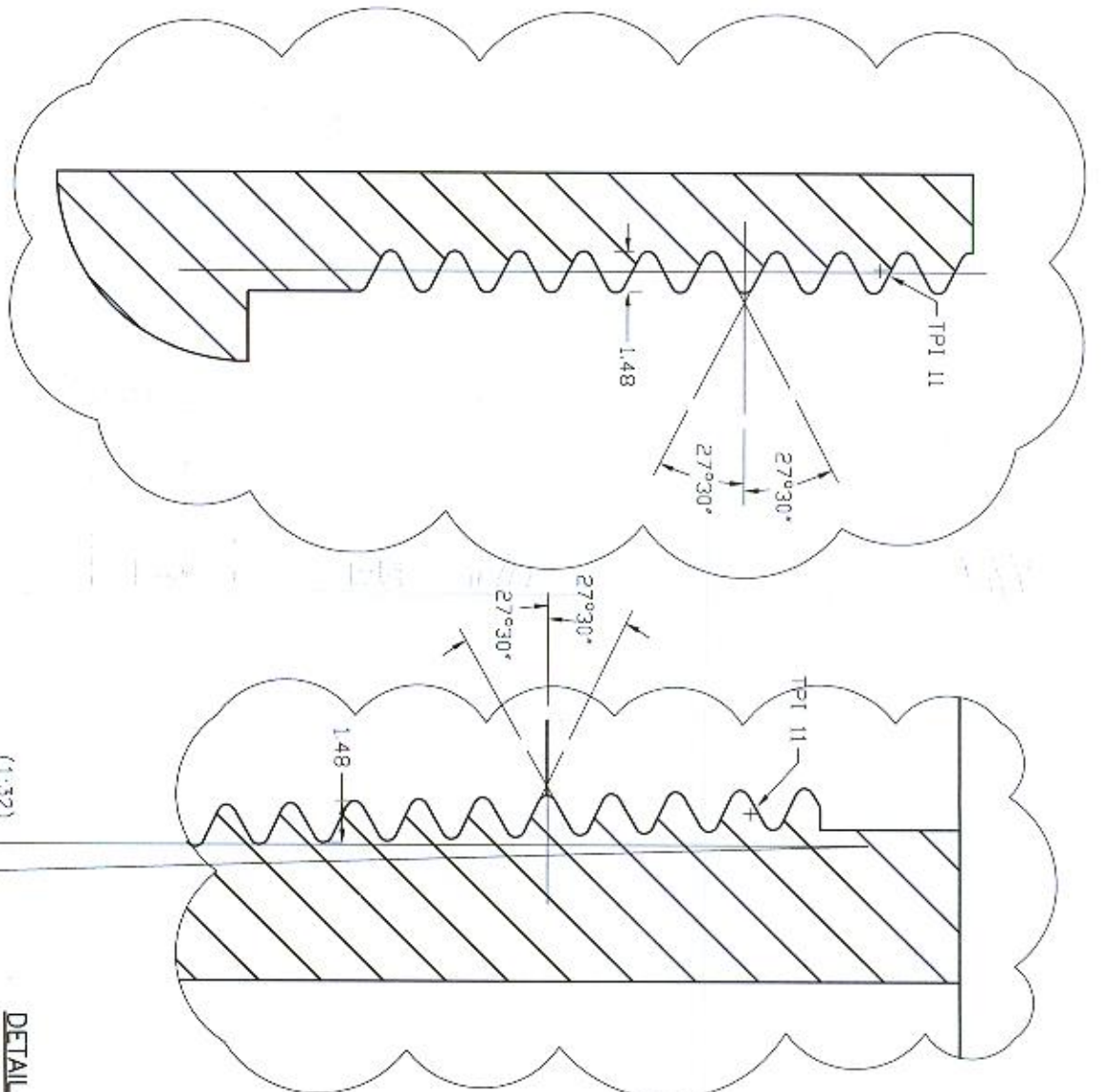
PLAN VIEW  
Scale 1:1



LID  
Scale NTS



SECTIONAL FRONT ELEVATION X-X  
Scale 1:1



DETAIL A  
Scale 4:1

DETAIL B  
Scale 4:1

MANUFACTURING TOLERANCES

NO	DIMENSION	VALUE	TOLERANCE
01	DA	74.60	-0.10
02	DB	71.64	-0.10
03	DC	66.00	±0.25
04	DE	87.01	+0.10
05	DF	98.01	+0.10
06	DC	13.00	±0.25
07	DH	54.98	+0.10
08	DI	5.00	±0.25
09	DJ	4.00	±0.25
10	DK	100.00	±0.25

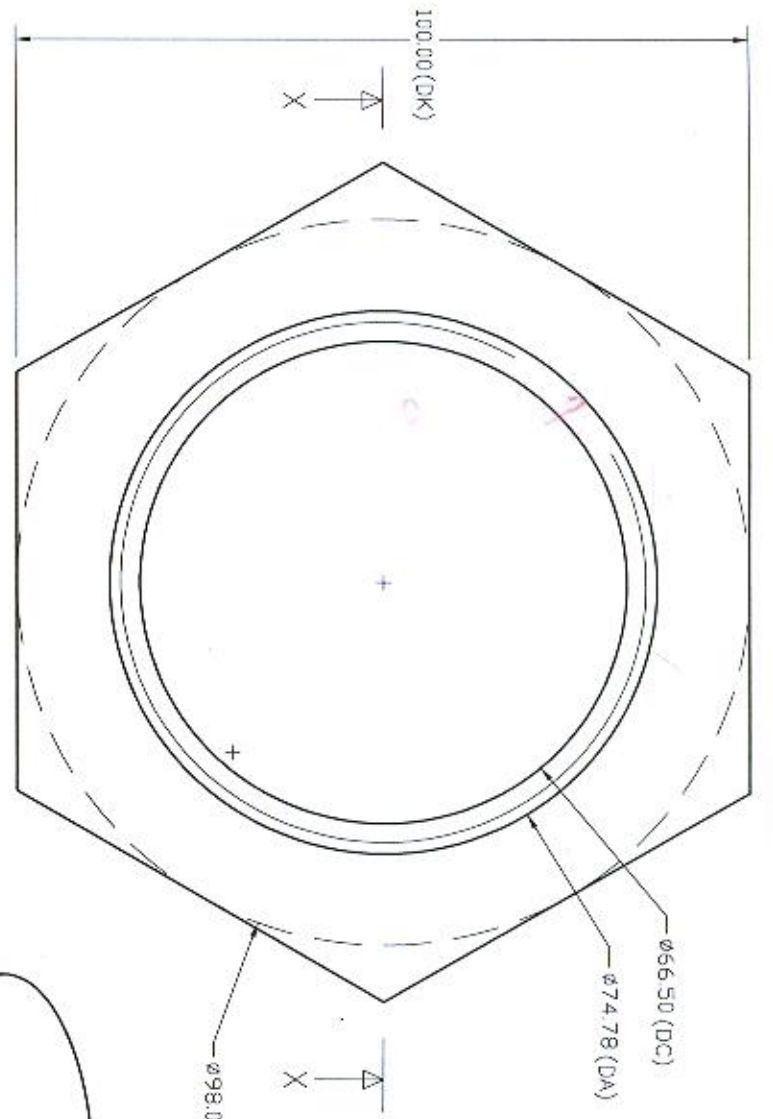
ALL DIMENSIONS ARE IN MILLIMETERS

MANUFACTURING METHOD	CASTING AND MACHINING
MATERIAL	YELLOW BRASS
THREAD	BSP-TAPERED FEMALE & FLAT (PARALLEL) MALE 11 TPI

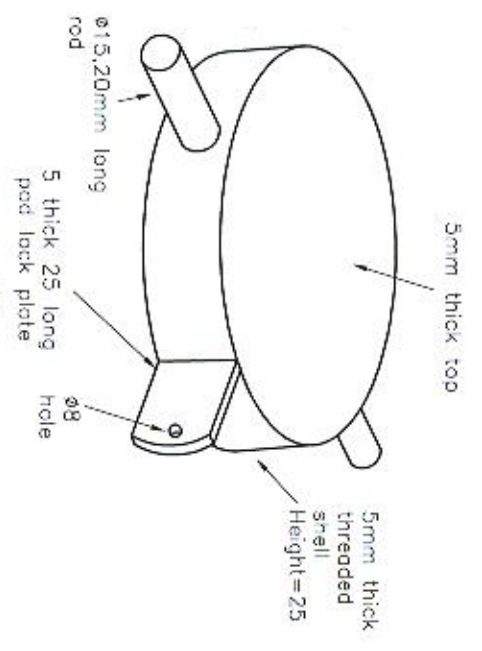
COMPONENT	2 1/2" FUEL FILLING ADAPTER FOR UG TANKS 3000/5000 IG
DRAWING NO	CEYPET/E&P/UGT/17100301
DESIGN & DRAWN	DILHAN (E & P)
DATE	02.10.2017



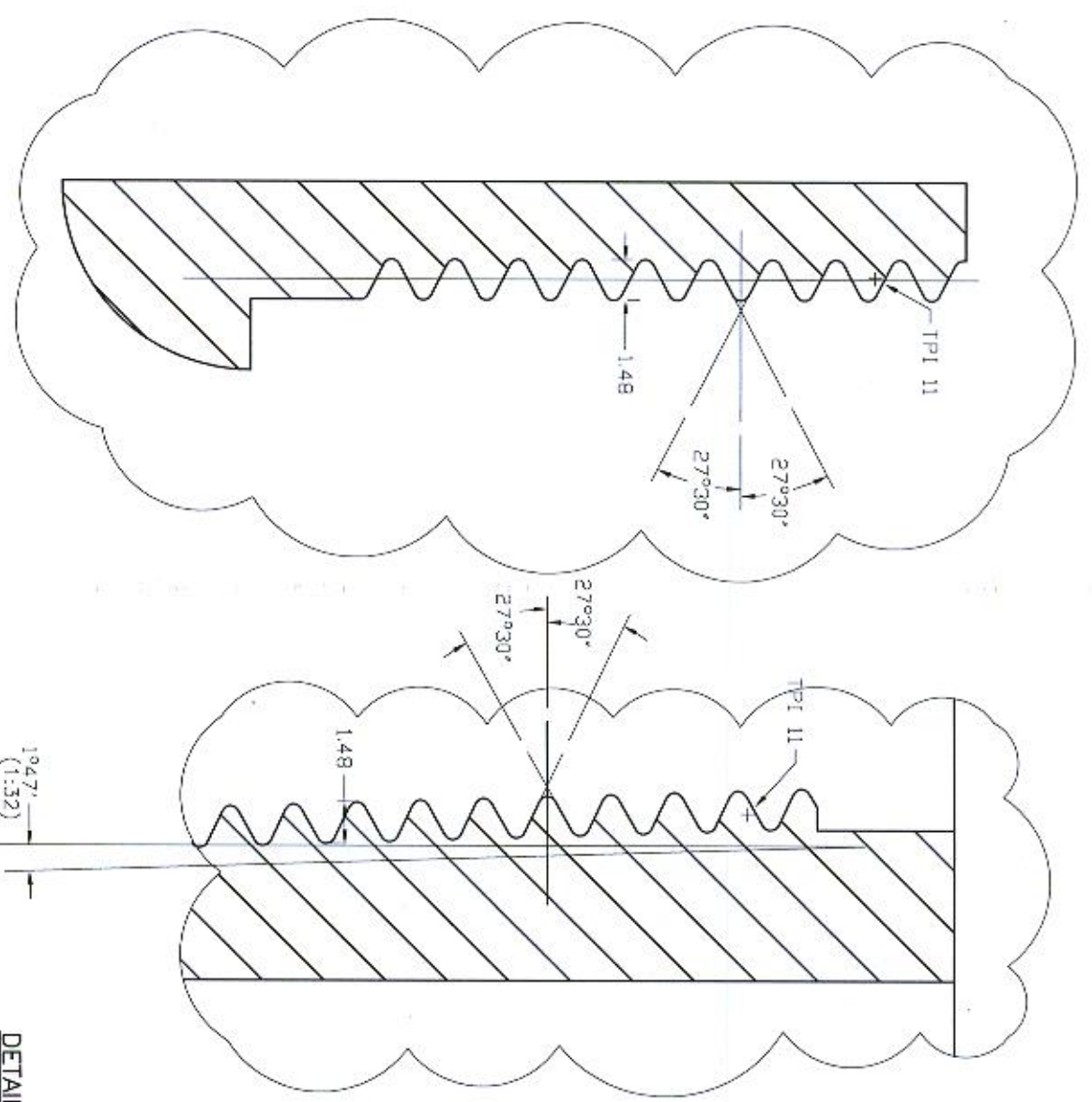




**PLAN VIEW**  
Scale 1:1



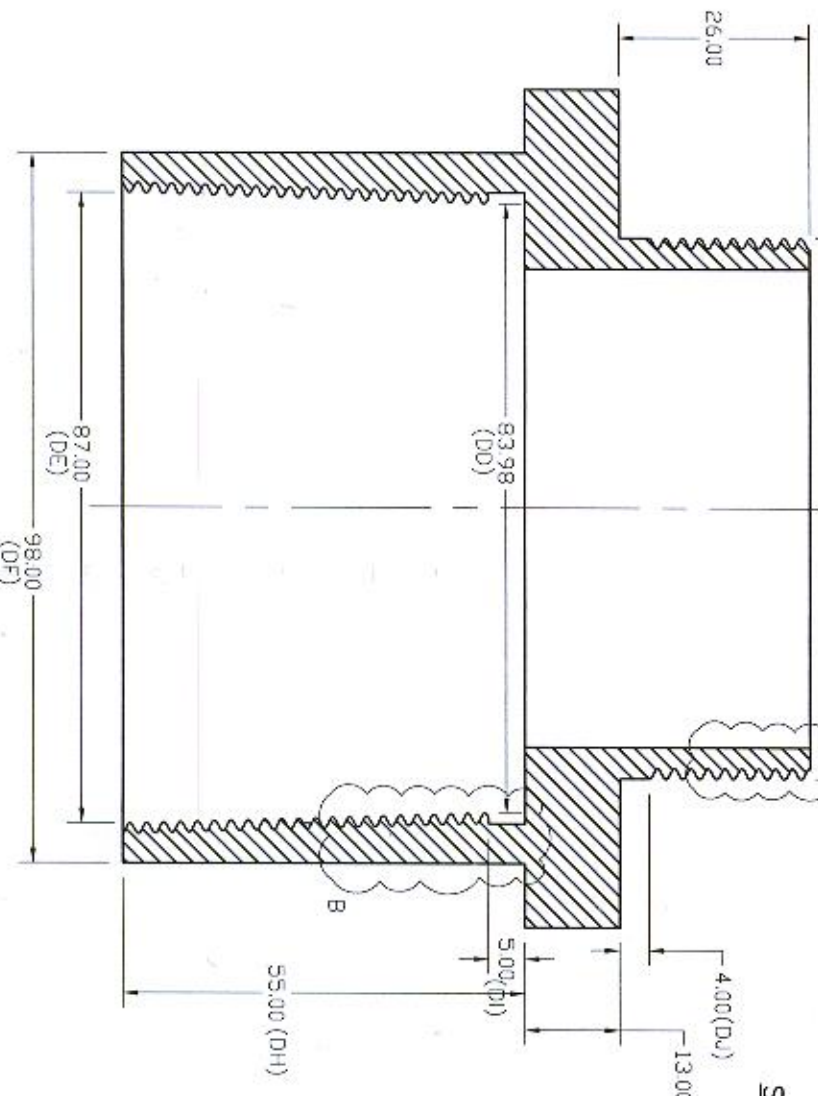
**LID**  
Scale NTS



**DETAIL A**  
Scale 4:1

**DETAIL B**  
Scale 4:1

ALL DIMENSIONS ARE IN MILLIMETERS



**SECTIONAL FRONT ELEVATION X-X**  
Scale 1:1

**MANUFACTURING TOLERANCES**

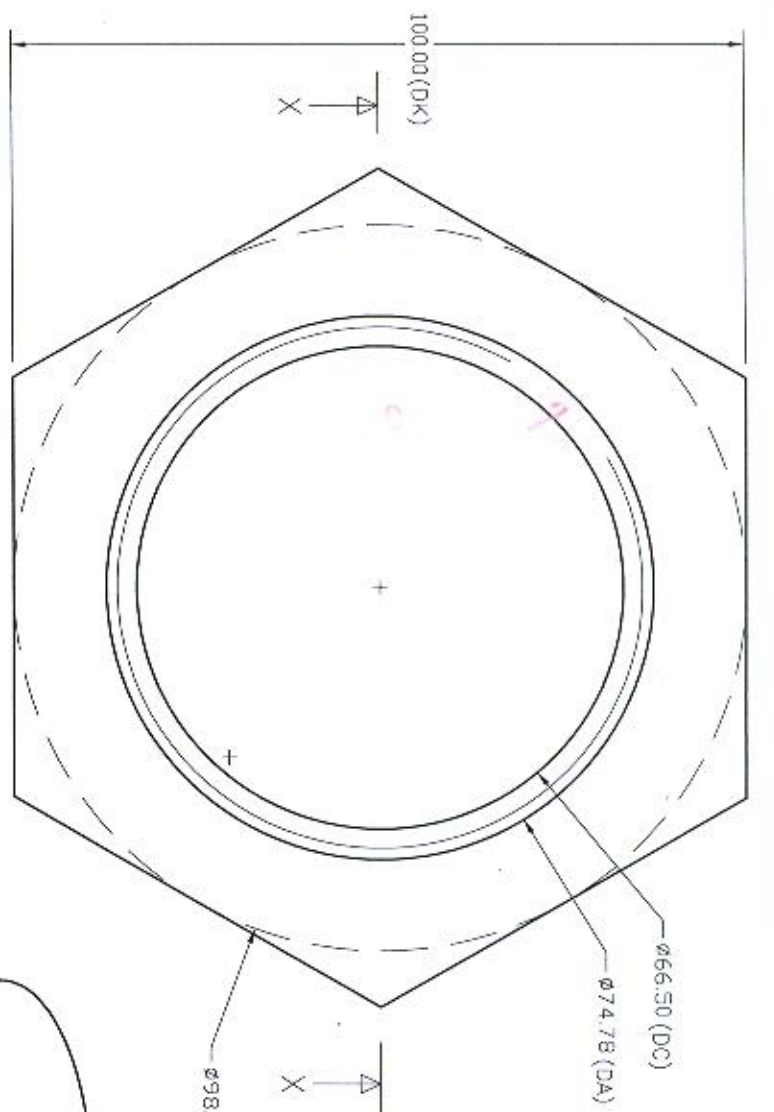
NO	DIMENSION	VALUE	TOLERANCE
01	DA	74.60	-0.10
02	DB	71.64	-0.10
03	DC	66.00	±0.25
04	DE	87.01	+0.10
05	DF	98.01	+0.10
06	DG	13.00	±0.25
07	DH	54.98	+0.10
08	DI	5.00	±0.25
09	DJ	4.00	±0.25
10	DK	100.00	±0.25

MANUFACTURING METHOD	CASTING AND MACHINING
MATERIAL	YELLOW BRASS
THREAD	BSP-TAPERED FEMALE & FLAT (PARALLEL) MALE 11 TPI

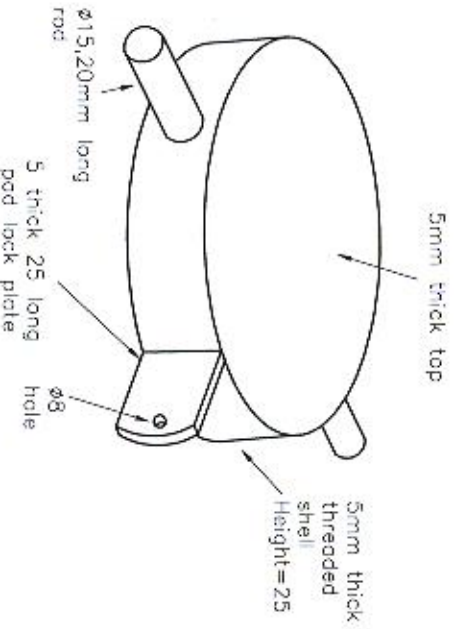
<b>COMPONENT</b>	3" FUEL FILLING ADAPTER FOR UG TANKS 3000/5000 IG
<b>DRAWING NO</b>	CEYPET/E&P/UGT/17100302
<b>DESIGN &amp; DRAWN</b>	DILHAN (E & P)
<b>DATE</b>	02.10.2017



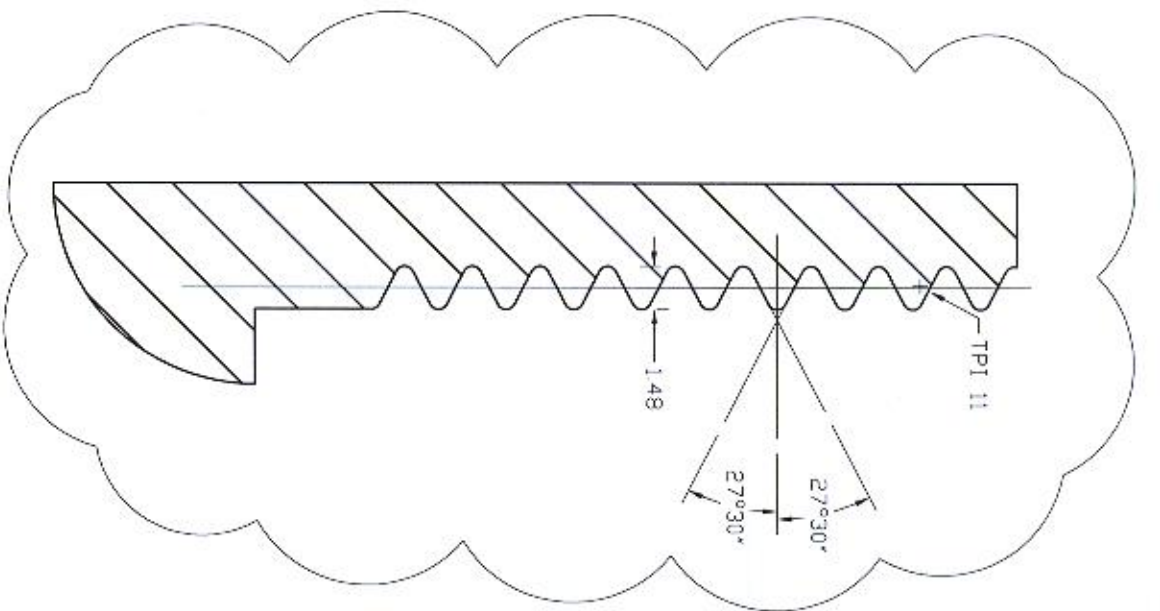




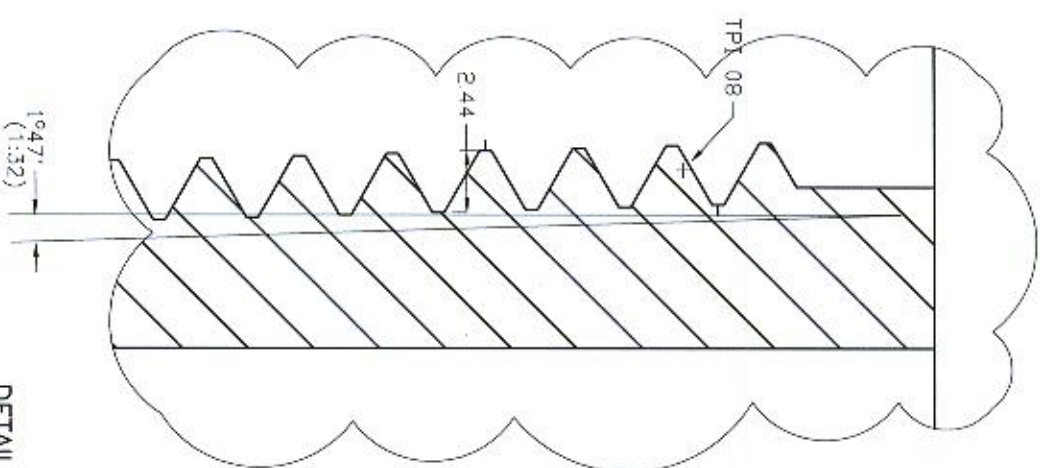
PLAN VIEW  
Scale 1:1



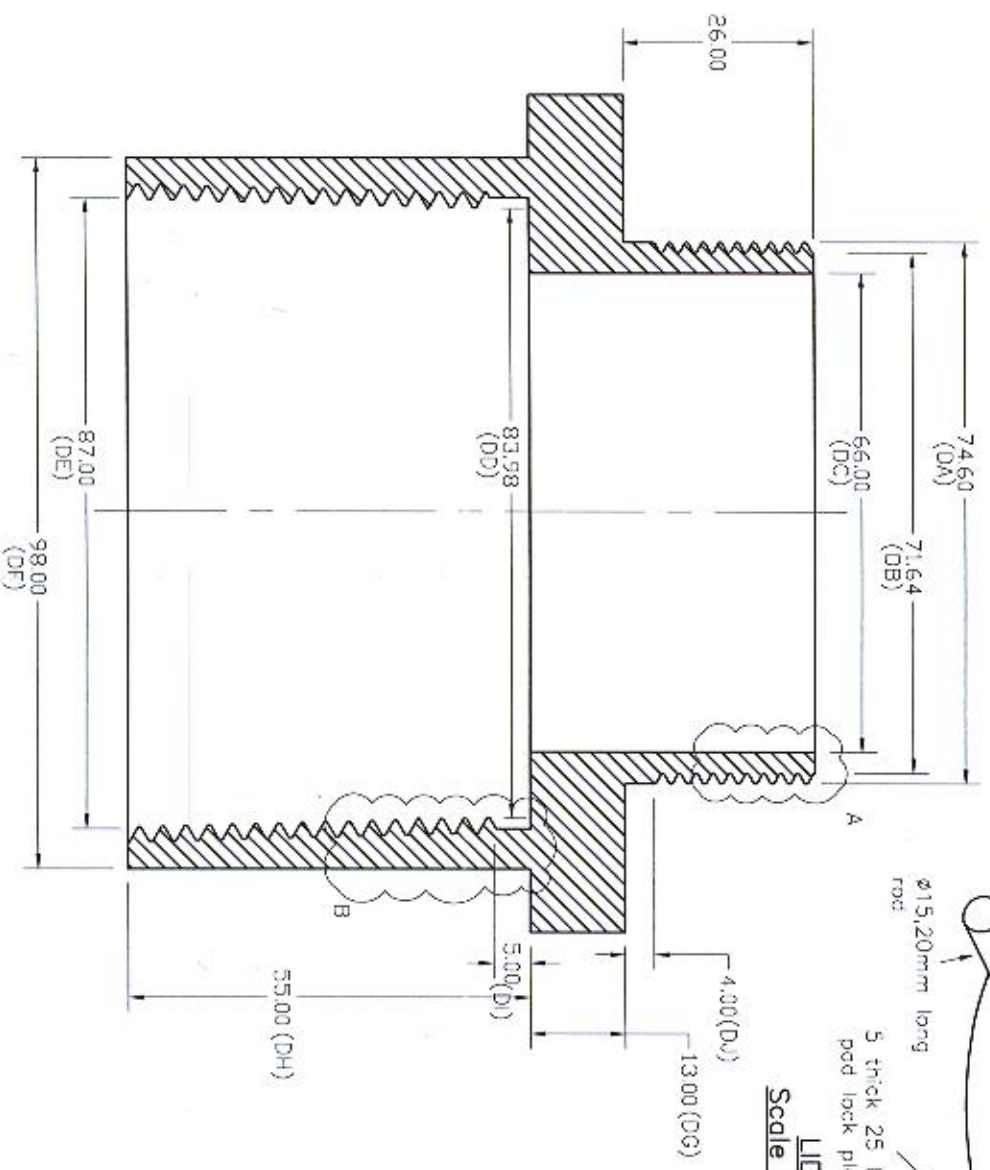
LID  
Scale NTS



DETAIL A  
Scale 4:1



DETAIL B  
Scale 4:1



SECTIONAL FRONT ELEVATION X-X  
Scale 1:1

MANUFACTURING TOLERANCES

NO	DIMENSION	VALUE	TOLERANCE
01	DA	74.60	-0.10
02	DB	71.64	-0.10
03	DC	66.00	±0.25
04	DE	87.01	+0.10
05	DF	98.01	+0.10
06	DG	13.00	±0.25
07	DH	54.98	+0.10
08	DI	5.00	±0.25
09	DJ	4.00	±0.25
10	DK	100.00	±0.25

ALL DIMENSIONS ARE IN MILLIMETERS

MANUFACTURING METHOD	CASTING AND MACHINING
MATERIAL	YELLOW BRASS
THREAD	NPT FEMALE TPI 08 & BSP FLAT (PARALLEL) MALE TPI 11

COMPONENT	3" FUEL FILLING ADAPTER FOR UG TANKS 3000/5000 IG
DRAWING NO	CEYPET/E&P/UGT/17100303
DESIGN & DRAWN	DILHAN (E & P)
DATE	02.10.2017

