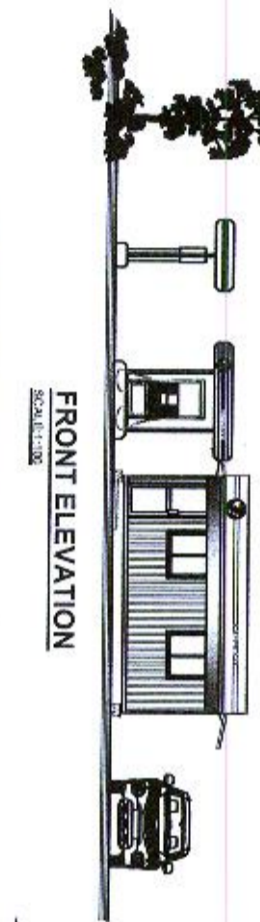


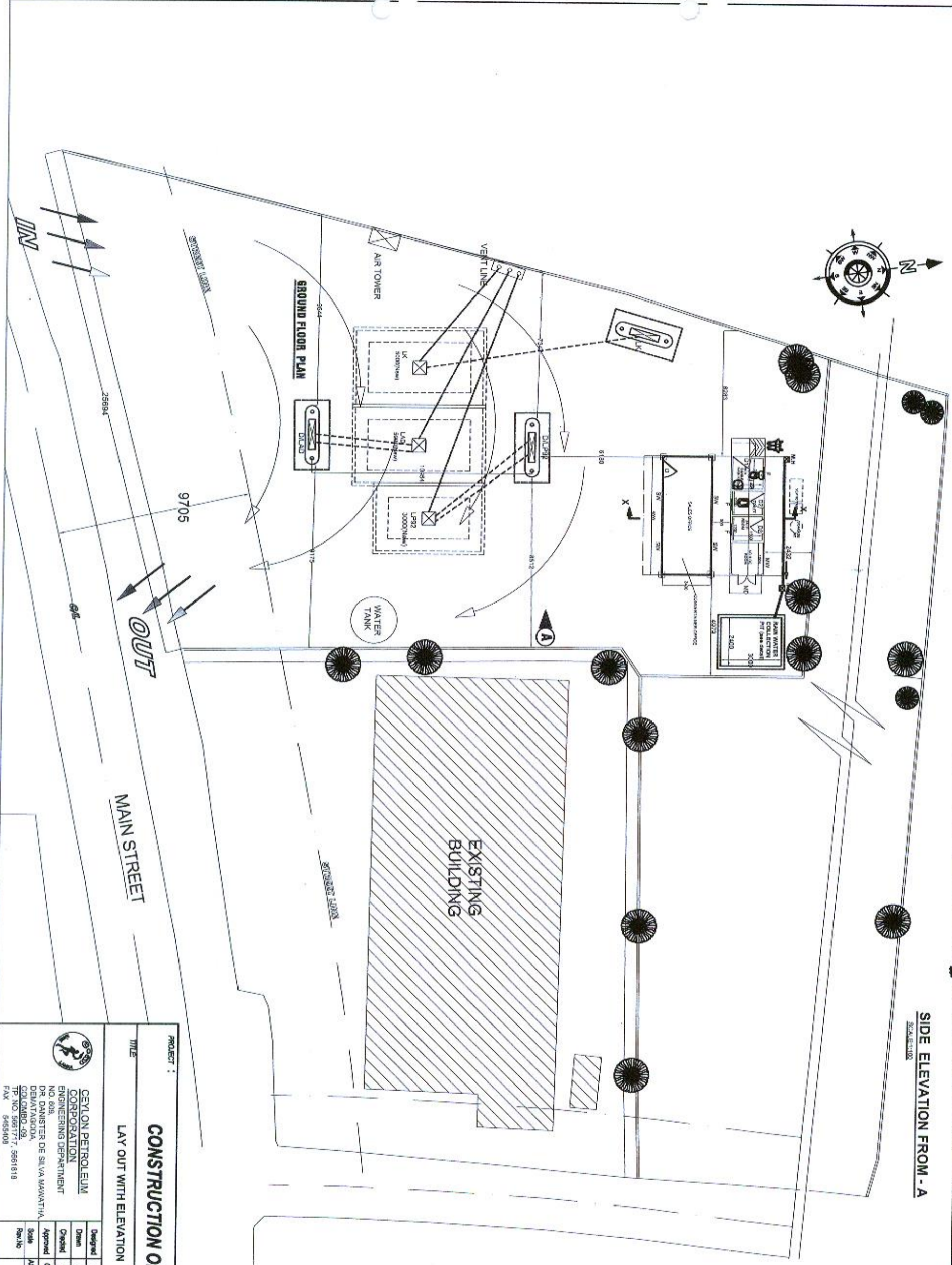
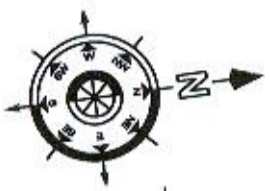
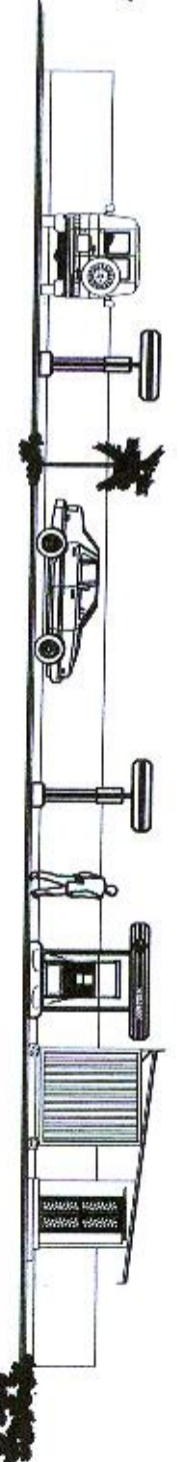


**PROPOSED CONSTRUCTION OF  
LANKA FILLING STATION AT DELFT ILAND**

**FRONT ELEVATION**  
SCALE: 1:100



**SIDE ELEVATION FROM - A**  
SCALE: 1:100



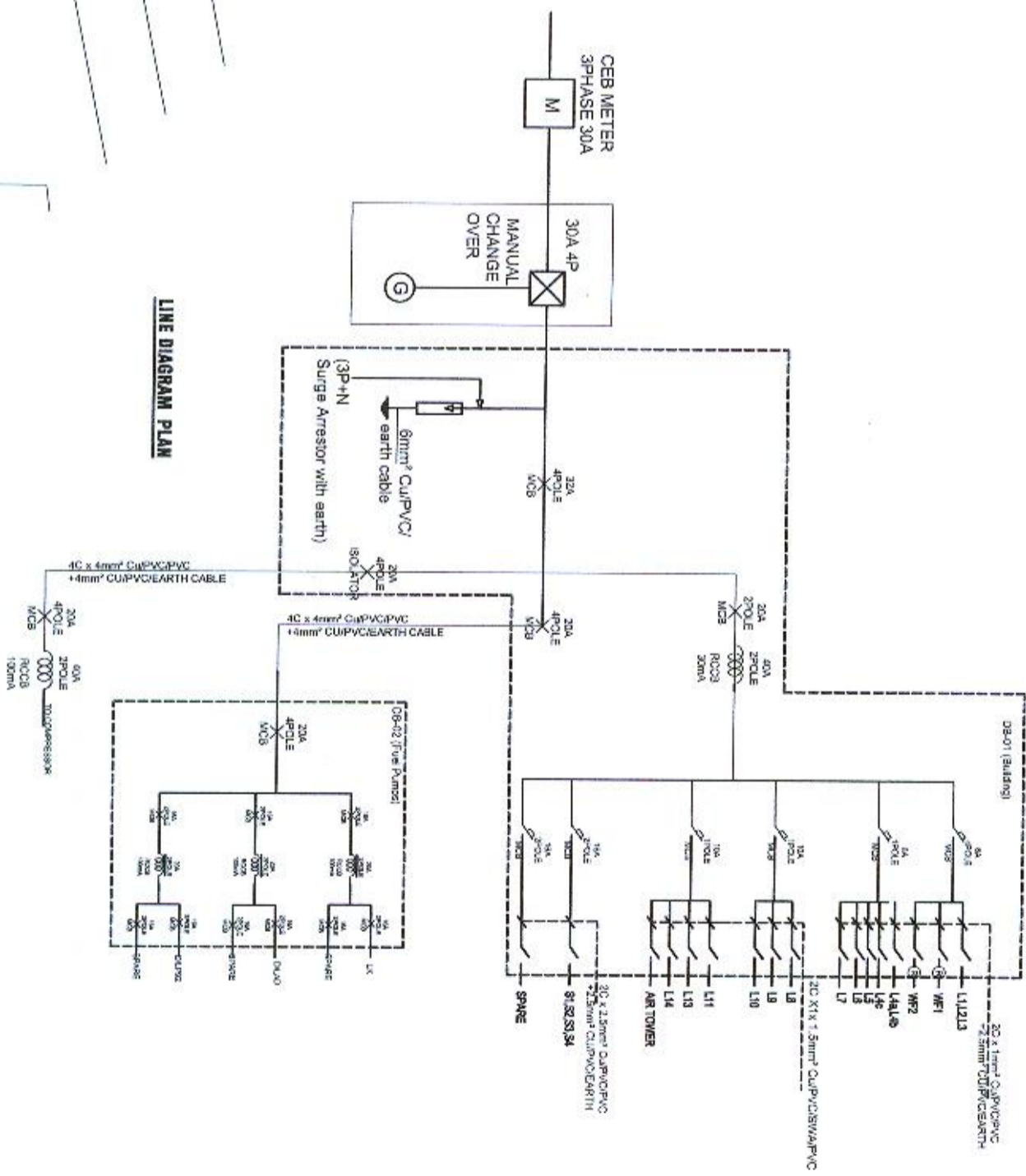
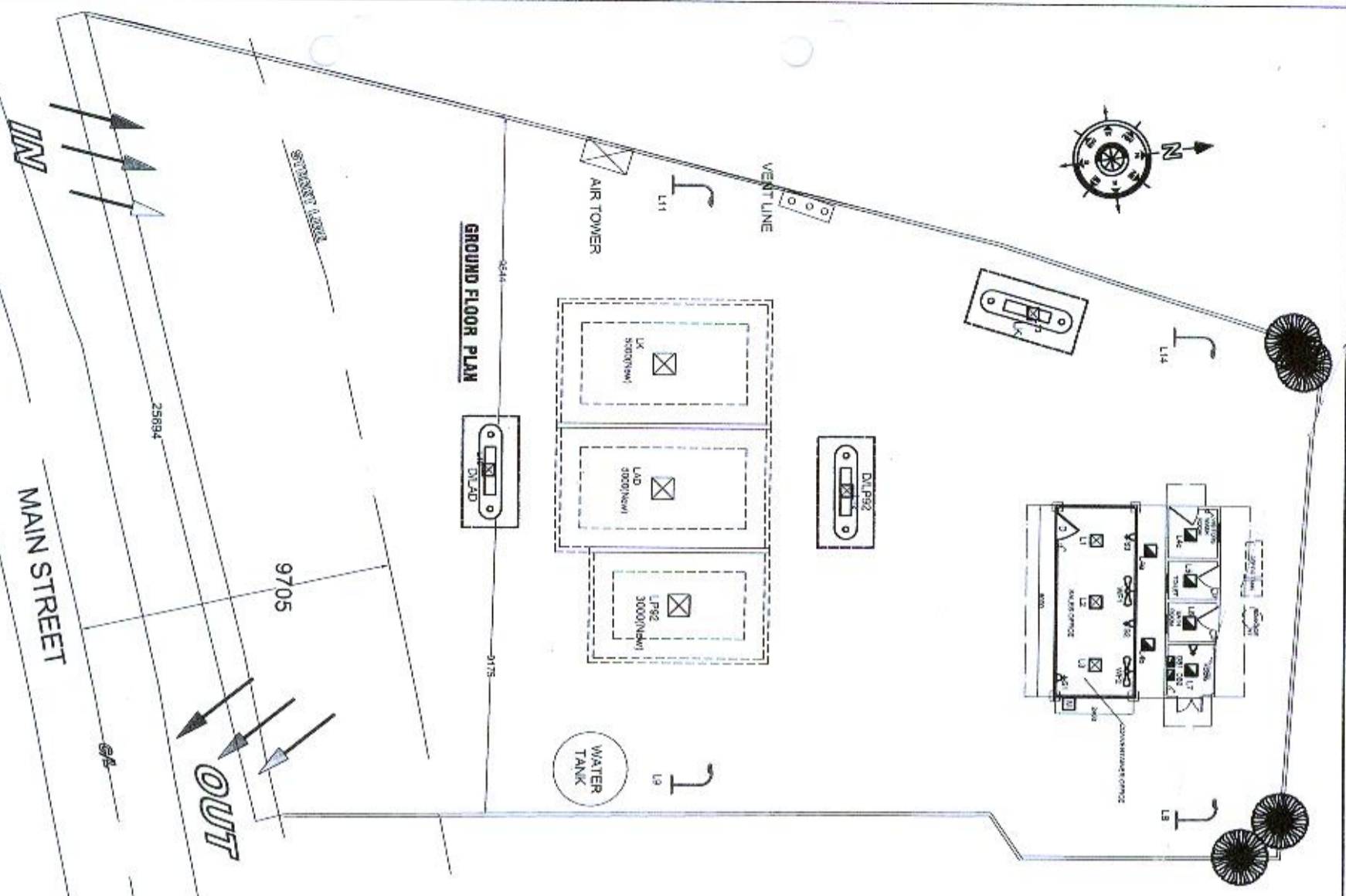
**GROUND FLOOR PLAN**

**MAIN STREET**

**CONSTRUCTION OF L.F.S. DELFT ISLAND**  
LAY OUT WITH ELEVATION

PROJECT :		TITLE :	
CEYLON PETROLEUM CORPORATION ENGINEERING DEPARTMENT NO. 626 DR. DANISTER DE SILVA MAWANTHA, DEWANGODA, COLOMBO-09, SRI LANKA. TEL: NO. 9681777, 9681819 FAX: 9655408		CONSTRUCTION OF L.F.S. DELFT ISLAND	
Designed	CP	Checked	CP
Drawn	CP	Approved	G.P.K. Wickrama Ranjith (Edu)
Checked	R.S.	Scale	AS SHOWN
Approved	G.P.K. Wickrama Ranjith (Edu)	Date	18.12.2025
Rev. No	AS SHOWN	Drawing No	CEY/PET/ENGR/ 0644
			Sheet 02 of 04





NO	DESCRIPTION	DATE
01		17-01-2028



**CEYLON PETROLEUM CORPORATION**  
 ENGINEERING DEPARTMENT  
 NO. 609,  
 DR. DANISTER DE SILVA MAWATHA  
 DEMATAGODA,  
 COLOMBO -09,  
 TP. NO. 5661717, 5661818  
 FAX 5455408

**PROJECT**  
 PROPOSED CONSTRUCTION  
 OF LANKA FILLING STATION AT  
 DELFT ISLAND

**TITLE**  
 ELECTRICAL DIAGRAM

**ENGINEER**  
 P. BOMBUGALA

**DRAWING NO**  
 CEYPET / ENG / 0644. E

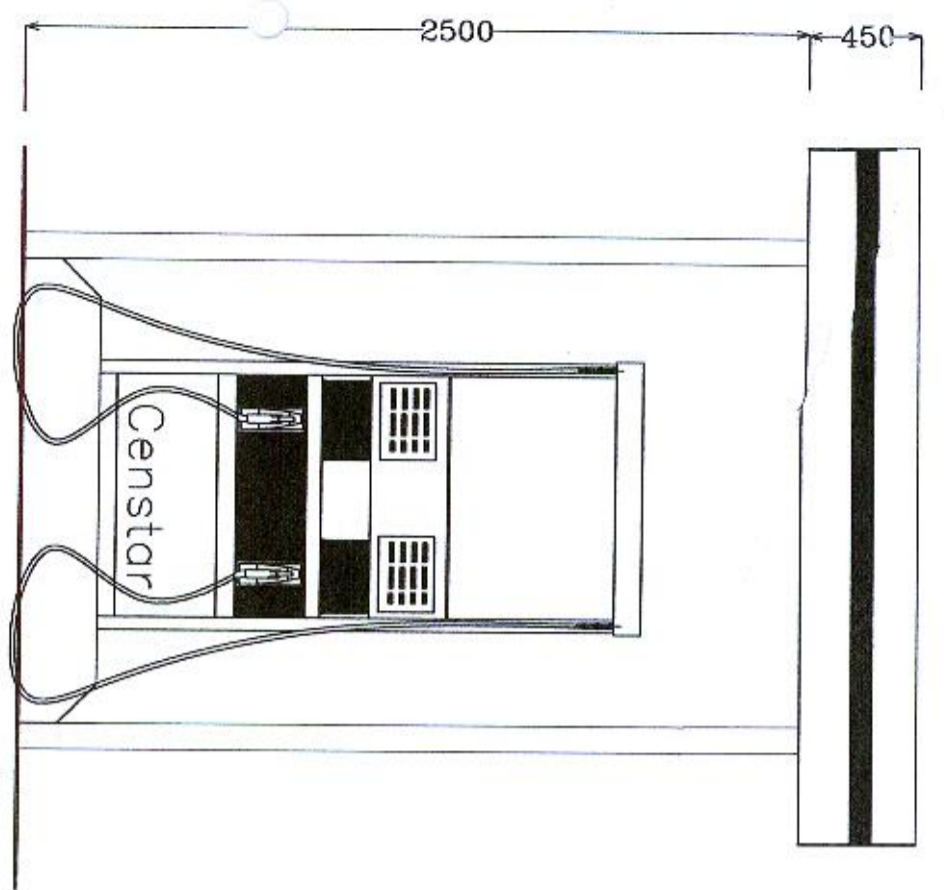
**SCALE**  
 1:100

**DATE**  
 17-01-2026

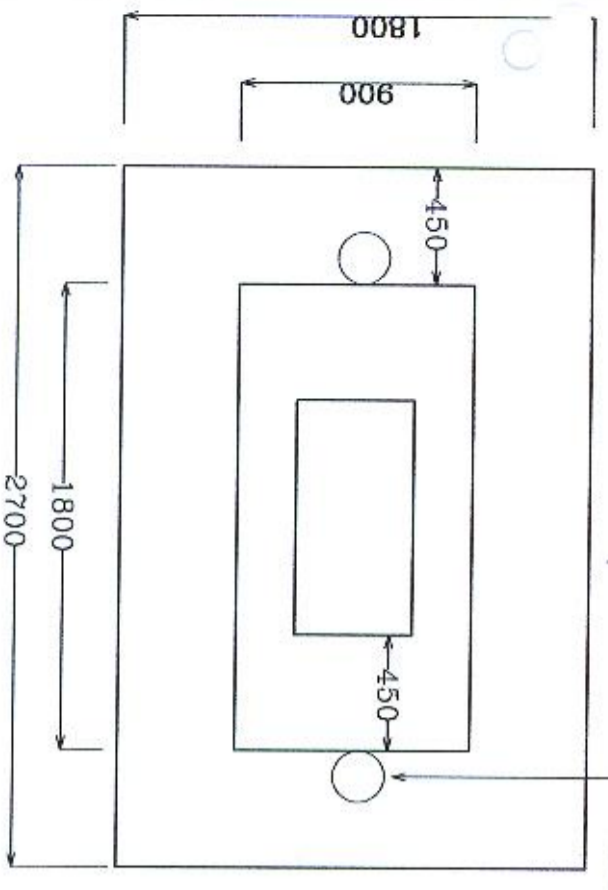
**DRAWN BY**  
 PRABATH

**CHECKED BY**  
 [Signature]

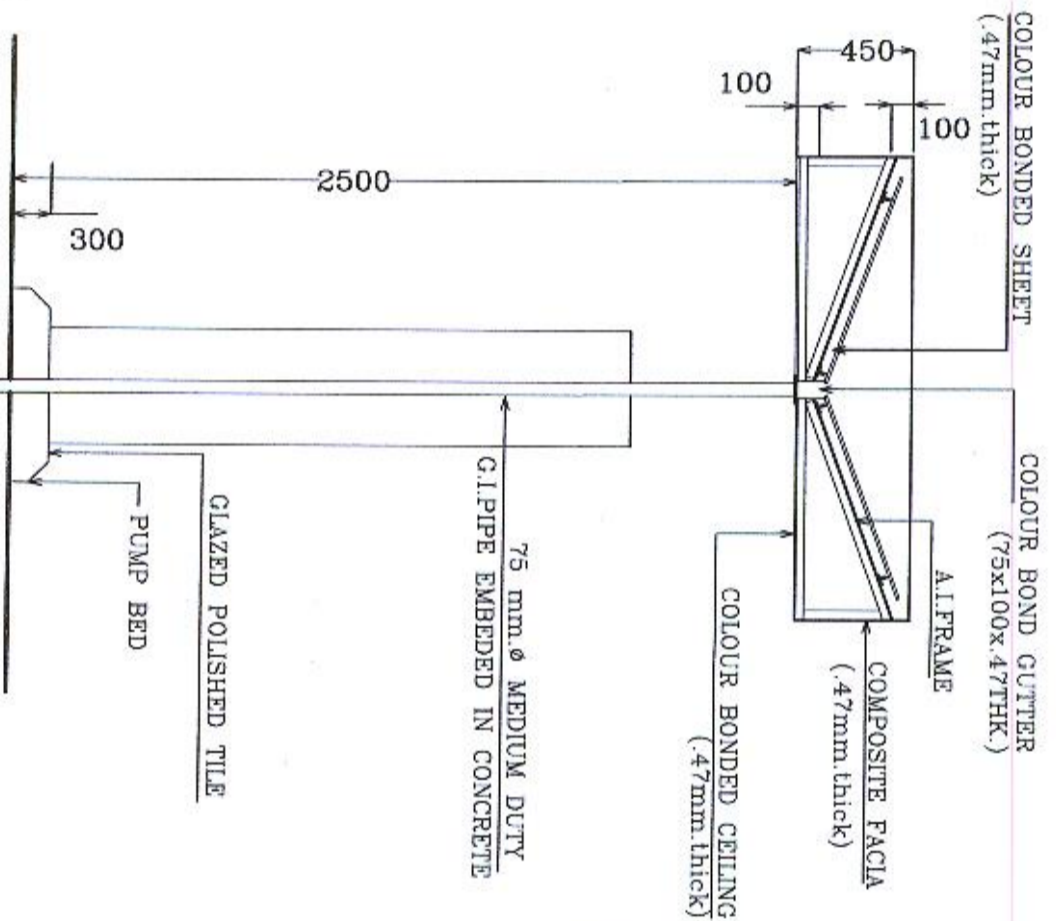
**APPROVED BY ENGINEERING & PREMISES MANAGER**  
 [Signature]



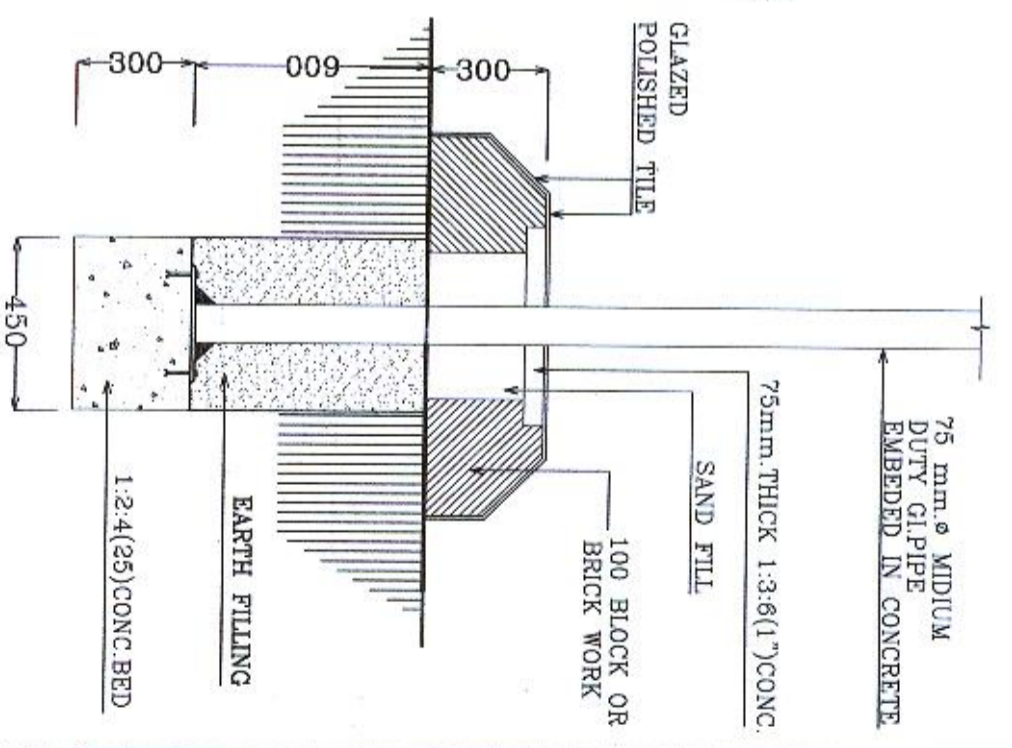
ELEVATION



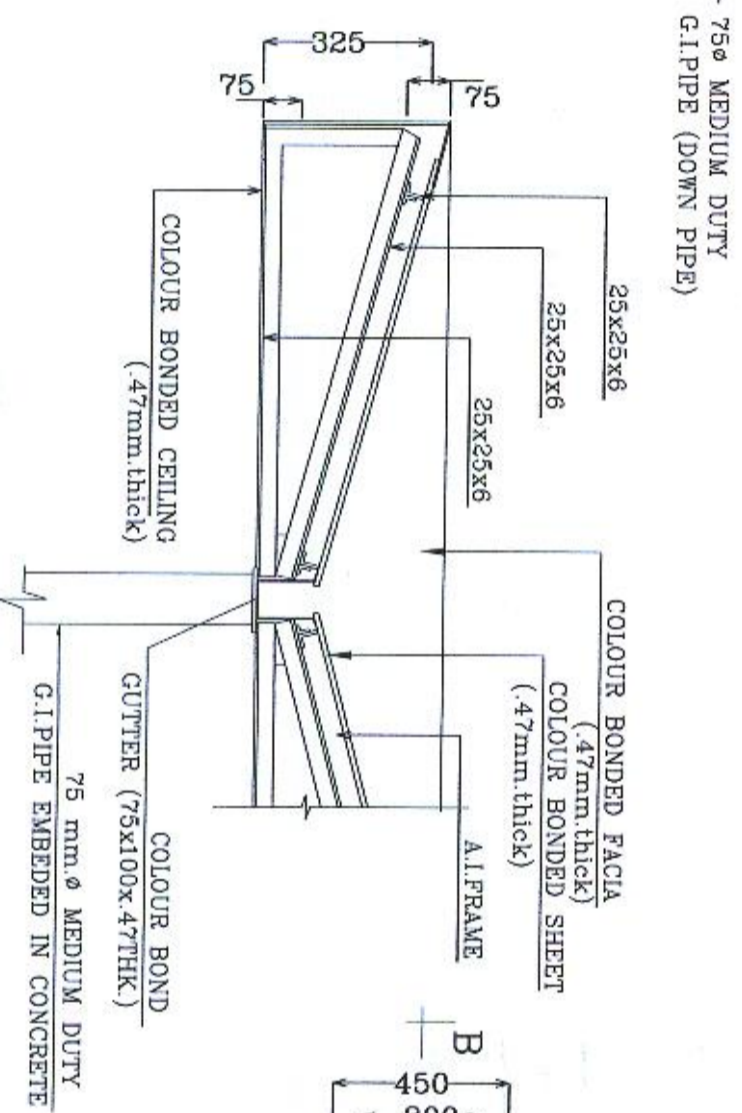
PLAN



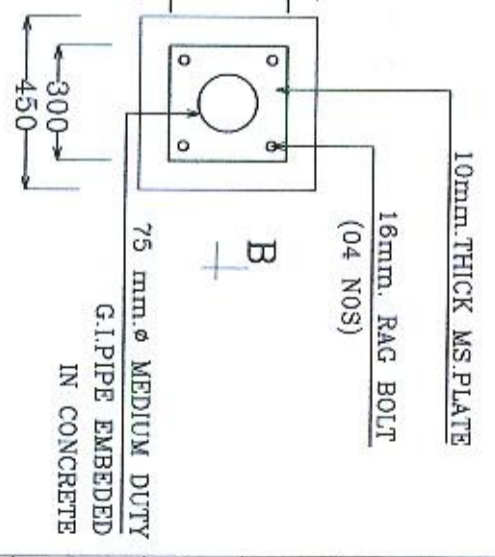
SECTION A-A



SECTION B-B



SECTIONAL DETAIL OF ROOF



DETAIL OF FOUNDATION

NOTE:

REV.	DESCRIPTION	DATE
02		02/26
01		05/23

CEYLON  
PETROLEUM CORPORATION.

ENGINEERING PROJECT:  
109, ROTUNDA TOWER  
COLombo - 3.  
T.P. NO. 2544288, 2544357  
FAX NO. 2473559

PROJECT:  
CEPETCO FILLING STATIONS

TITLE:  
CONSTRUCTION OF SINGLE CANOPY

Design & Structural Engineer:  
Gayan Wijekoon

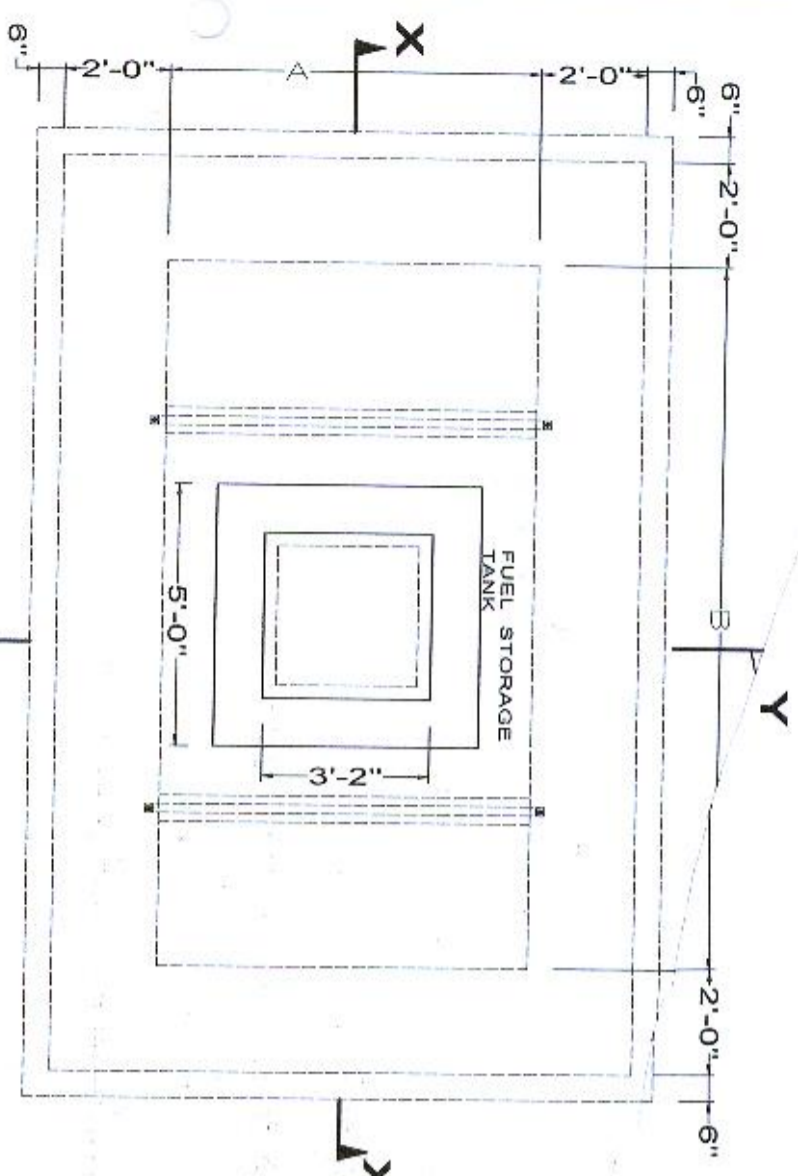
Drawing No: CEPDET/ENG/SK/0021-A

Scale: Not to scale Date: 23/05/2010

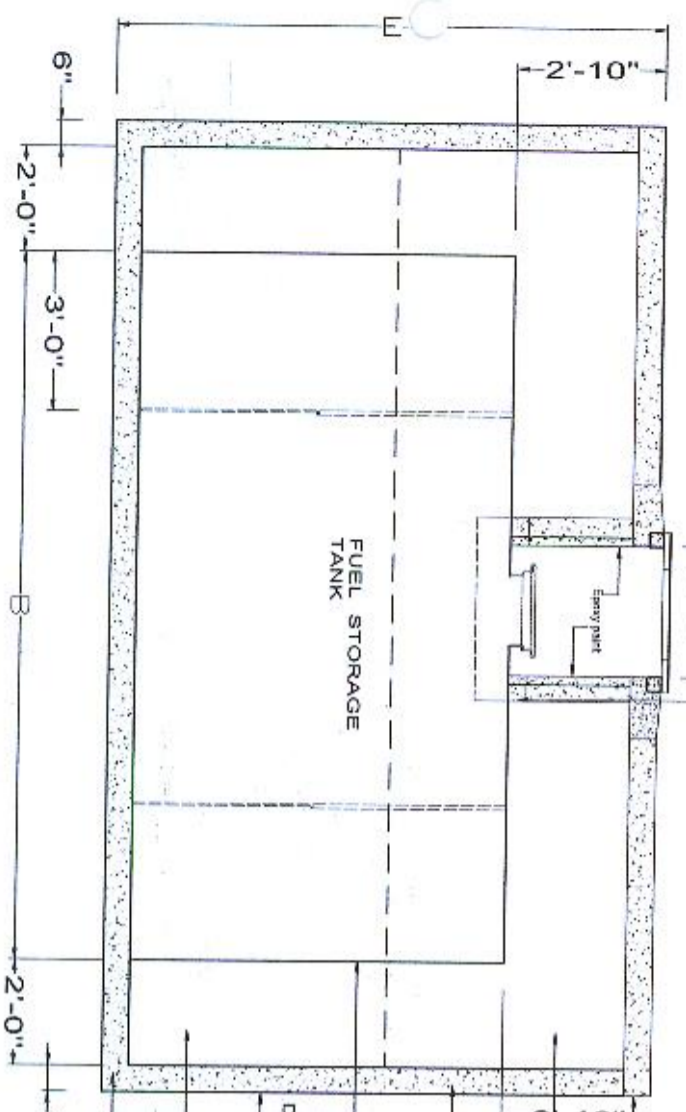
Drawn By: Ramani

Checked By:

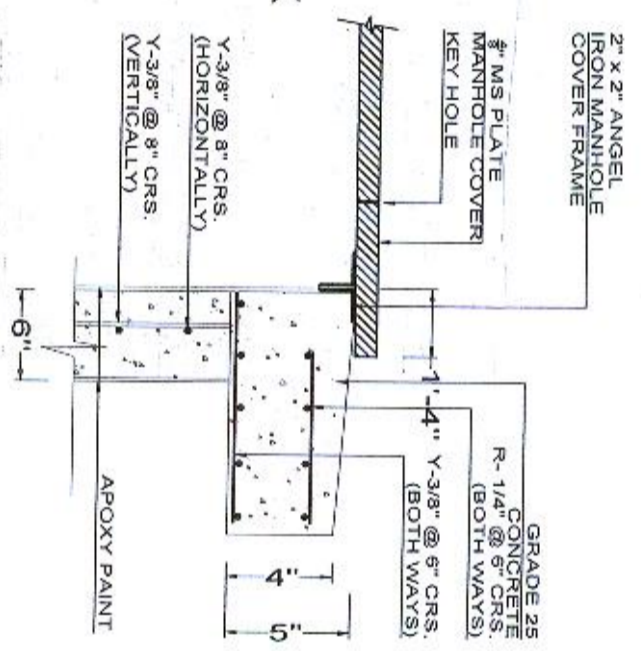
Approved By:



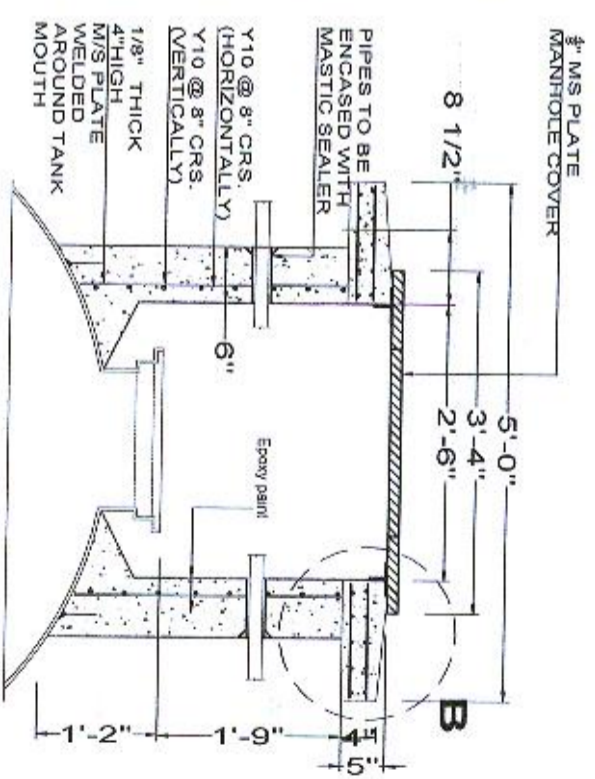
PLAN



SECTION X-X

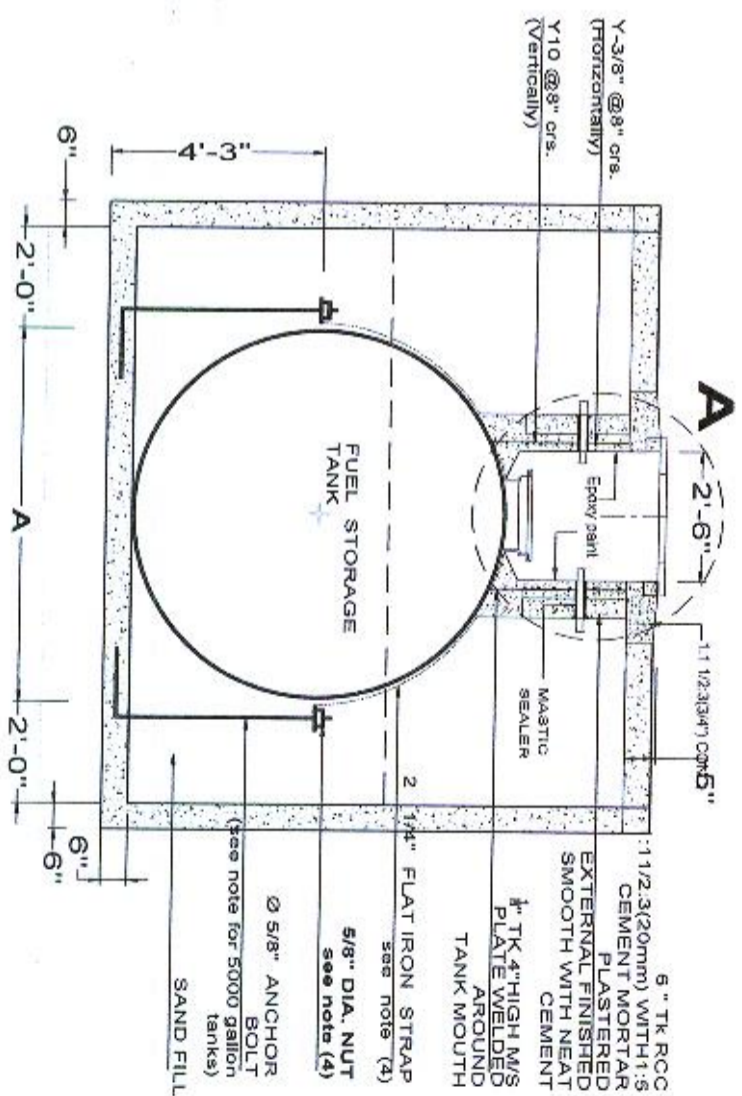


DETAILS AT 'B'



DETAILS AT 'A'

1:1 1/2:3 (3/4") CEMENT CONCRETE COLLAR  
 6" TK 1:1 1/2:3 (3/4") RCC YARD SLAB REINFORCED WITH 3/8" DIA. STEEL BARS AT Top bar @ 8" and Bottom bar @ 6"  
 EARTH FILLING  
 INNER AND OUTER WATER PROOF SURFACE WALL  
 FUEL STORAGE TANK  
 6" TK 1:1 1/2:3 (3/4") DOUBLE LAYER RCC WALL IN 3/8" DIA. STEEL BARS AT Vertical bar @ 8" and Horizontal bar @ 225 SAND FILLING  
 6" TK 1:1 1/2:3 (3/4") RCC BASE SLAB REINFORCED WITH 3/8" DIA. STEEL BARS AT 9" CENTERS BOTH WAYS BOTTOM (see note for 5000 gallon tanks)



SECTION Y-Y

1:1 1/2:3 (3/4") RCC YARD SLAB REINFORCED WITH 3/8" DIA. STEEL BARS AT Top bar @ 8" and Bottom bar @ 6"  
 EARTH FILLING  
 INNER AND OUTER WATER PROOF SURFACE WALL  
 FUEL STORAGE TANK  
 6" TK 1:1 1/2:3 (3/4") DOUBLE LAYER RCC WALL IN 3/8" DIA. STEEL BARS AT Vertical bar @ 8" and Horizontal bar @ 225 SAND FILLING  
 6" TK RCC BASE SLAB REINFORCED WITH 3/8" DIA. STEEL BARS AT 9" CENTERS BOTH WAYS BOTTOM (see note for 5000 gallon tanks)

TANK CAPACITY	A	B	E
3000	7'-0"	13'-6"	10'-3"
5000	8'-0"	17'-0"	11'-3"

NOTE (GENERAL)

1. THE NECESSITY OF THE 6" REINFORCED CONCRETE YARD SLAB WILL BE DECIDED AT SITE.
2. IF THE YARD IS NOT DONE MANHOLE FRAME SHOULD BE FITTED TO 1'-6" WIDE 9" CONCRETE KERB LAID ON 9" BRICK WORK.
3. FOR 5000 GALLON TANK THE BASE SLAB BE REINFORCED WITH TWO LAYERS (TOP & BOTTOM) 3/8" DIA. STEEL BARS AT 9" CENTERS BOTHWAYS.
4. FOR 5000 GALLON TANK OR NOS. ANCHOR BOLTS AND STRAPS AT 4'9" CENTERS BE PROVIDED.
5. MANHOLE AREA TO BE FILLED WITH RIVER SAND.
6. ALL WELDING TO BE CONTINUOUS.
7. ALL STEEL WORK TO BE APPLIED WITH TWO COATS OF ANTI CORROSION PAINT OF APPROVED QUALITY AND COLOR.

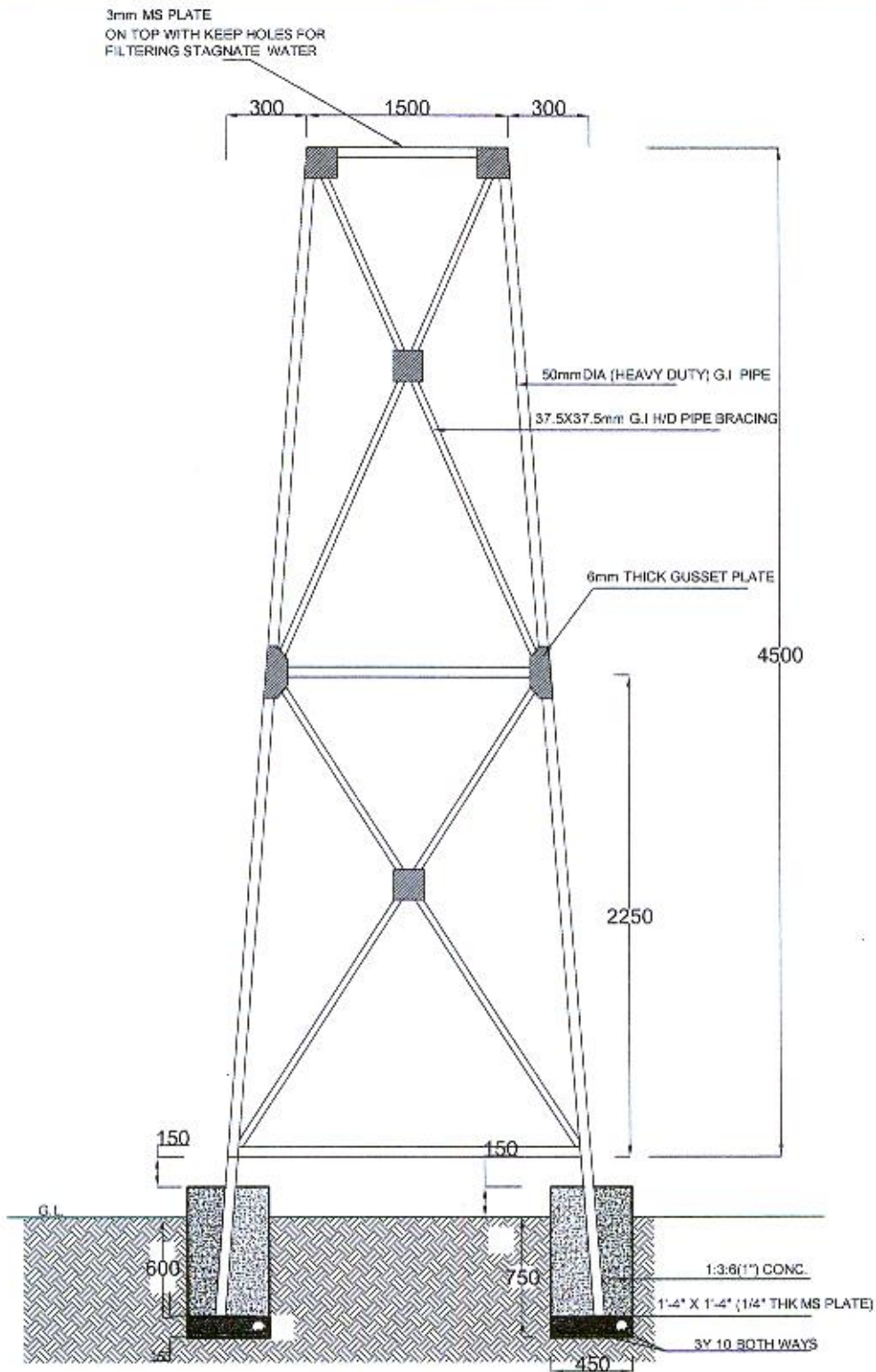


ENGINEERING DEPARTMENT  
 505, GUN DANISTER DE SILVA MW  
 T.P. NO. 011555152  
 FAX NO. 011555408

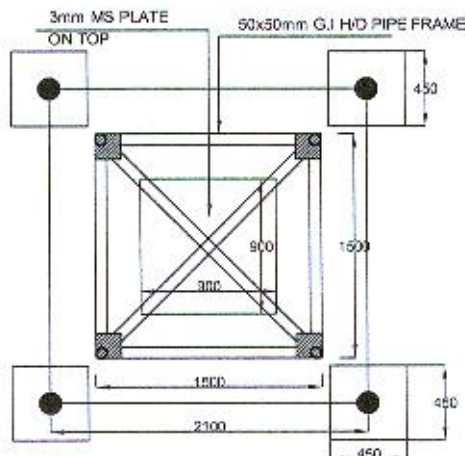
TITLE: INSTALLATION OF 3000 AND 5000 GALLON UNDERGROUND STORAGE TANKS  
 DRAWING NO: CEYPET/ENG/0511  
 SCALE: NAD 1:5000 DATE: 12.11.2015  
 DRAWN BY: PRASANTH  
 CHECKED BY:  
 APPROVED BY: ENGINEERING & PREMISES MANAGER







**ELEVATION**



**PLAN**



**CEYLON PETROLEUM CORPORATION**

ENGINEERING DEPARTMENT  
NO. 808,  
DR. DANISTER DE SILVA MAWATHA,  
DEMATAGODA,  
COLOMBO -09.

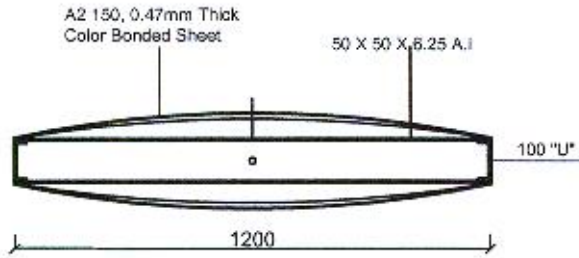
TP. NO. 5661717, 5661818  
FAX 5455403

**DETAILS OF WATER TANK  
STRUCTURE FOR DELFT ILAND**

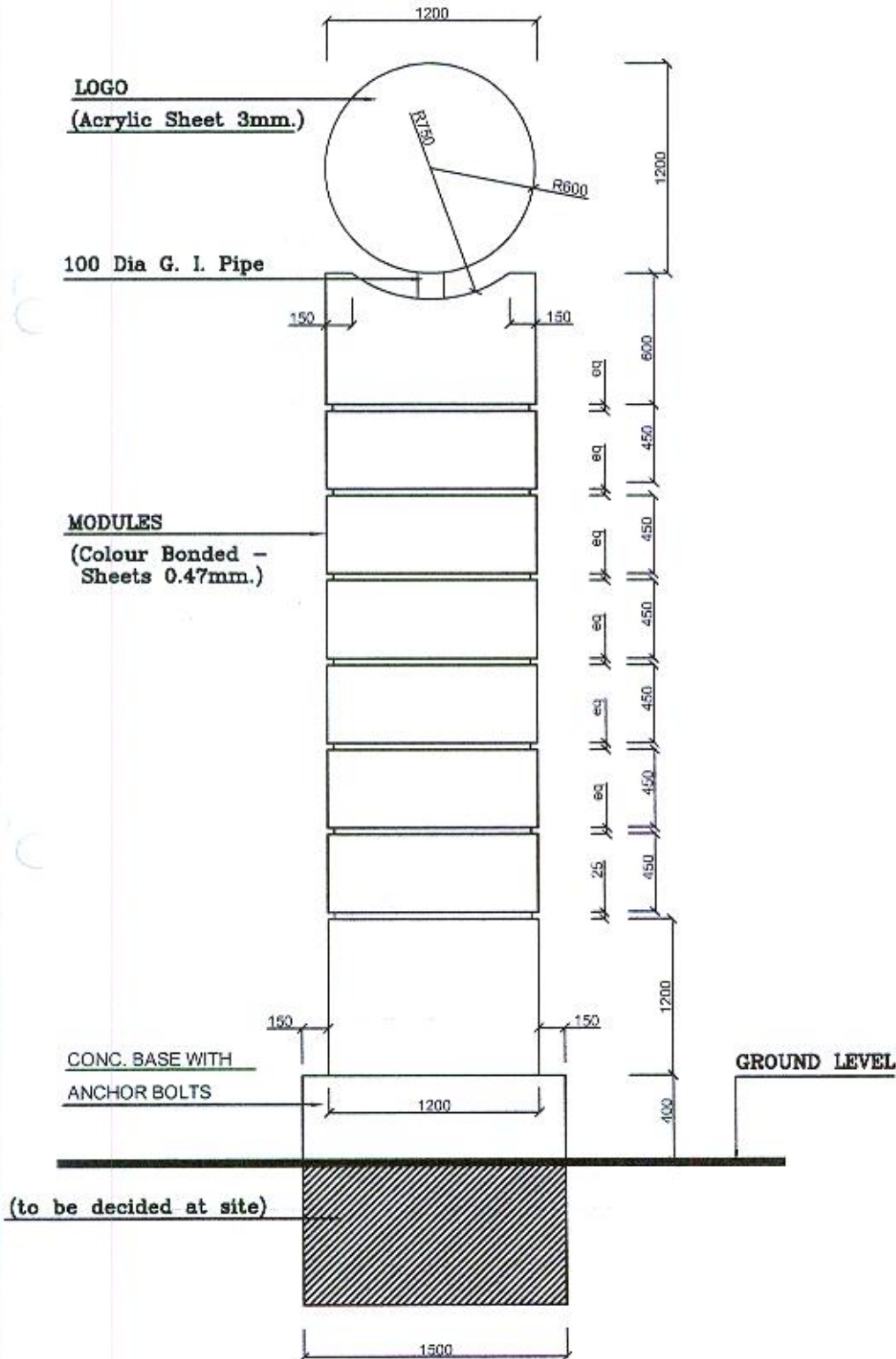
**DRAWING NO** CEYPET / ENG / SK/0436

**SCALE** 1:100 **DATE** 07-01-2026

**DRAWN BY** PWA/SATH



**DETAIL OF MODULE**



**SECTIONAL VIEW (PYLON)**

**NOTE:**

REV.	DESCRIPTION	DATE



**CEYLON PETROLEUM CORPORATION**

ENGINEERING DEPARTMENT  
NO. 809,  
DR. DANISTER DE SILVA MAWATHA,  
DEMATAGODA,  
COLOMBO-09.

TP. NO. 5681717, 5681818  
FAX 5455408

**PROJECT:**

**TITLE: SIGNAGE STRUCTURE**

**Structural Engineer:**  
GAYAN WEERAKOON

**Sketch No. CEYPET/Eng/Sk./0013**

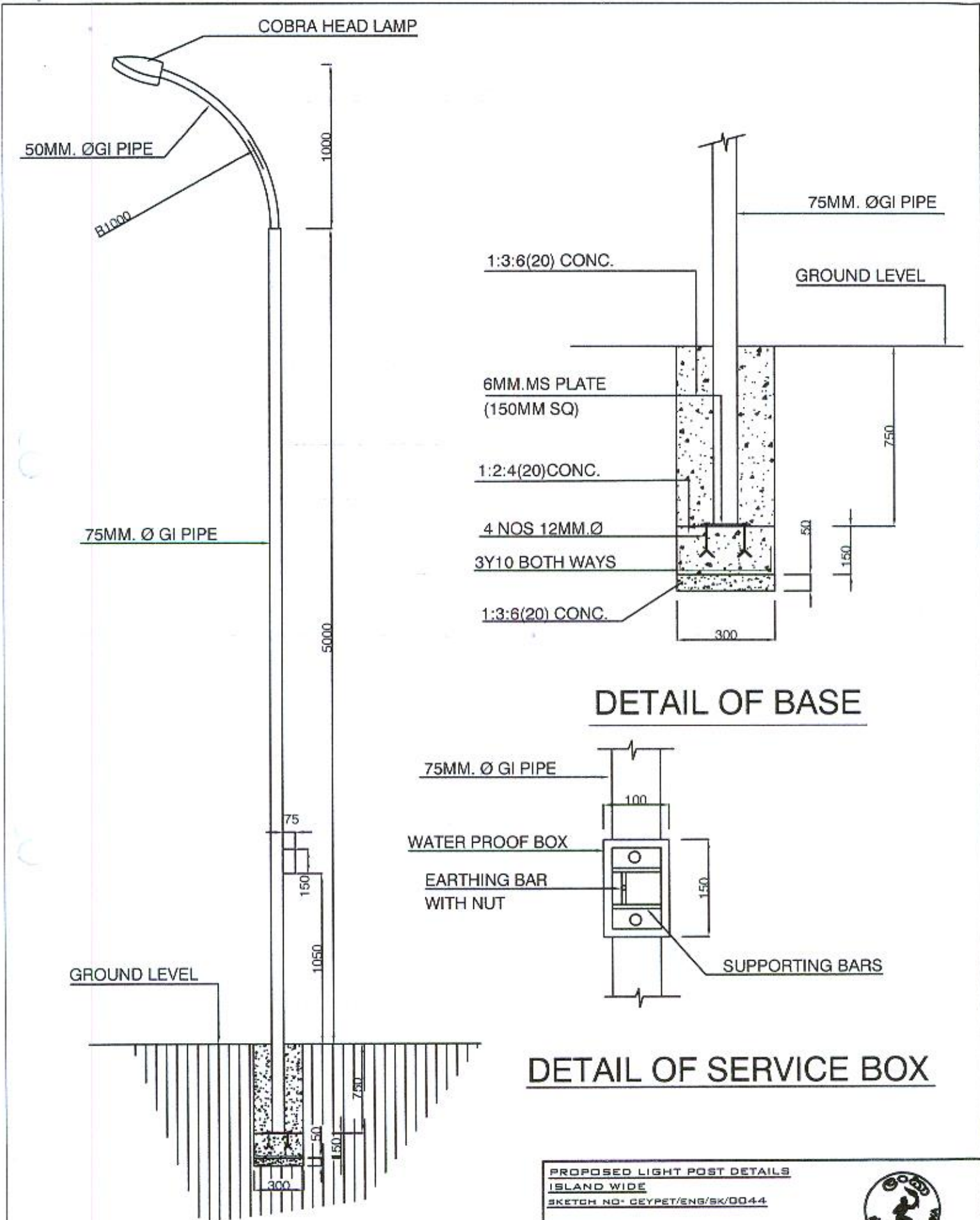
**Scale: 1:100**

**Date: 02/06/2008**

**Drawn By : Ramani**

**Checked By :**

**Approved By :**



COBRA HEAD LAMP

50MM. Ø GI PIPE

R1000

1000

75MM. Ø GI PIPE

5000

75

GROUND LEVEL

150

1050

300

750

150

1:3:6(20) CONC.

75MM. Ø GI PIPE

GROUND LEVEL

6MM. MS PLATE  
(150MM SQ)

1:2:4(20) CONC.

4 NOS 12MM. Ø  
3Y10 BOTH WAYS

1:3:6(20) CONC.

750

50

150

300

**DETAIL OF BASE**

75MM. Ø GI PIPE

WATER PROOF BOX

EARTHING BAR  
WITH NUT

SUPPORTING BARS

100

150

**DETAIL OF SERVICE BOX**

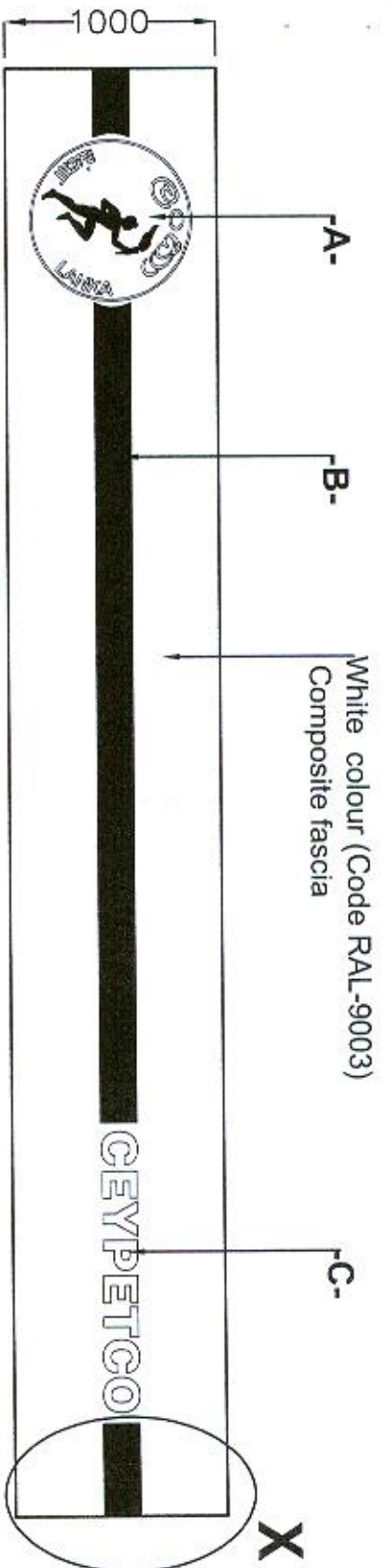
PROPOSED LIGHT POST DETAILS  
ISLAND WIDE  
SKETCH NO- CEYPET/ENG/SK/0044

CEYPETCO  
ENGINEERING & PREMISES DEPARTMENT  
CEYLON PETROLEUM CORPORATION



CEYLON PETROLEUM CORPORATION

Drawn by: Ramani Amarasinghe



**DETAIL OF CANOPY FASCIA**

White colour  
LED Light strip  
around fascia

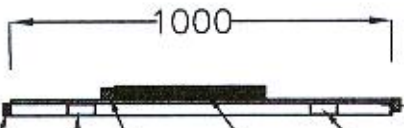
50X25mm G.I  
Box bar

Red colour  
(Code RAL 3000)  
Composite fascia

Red colour  
LED Light strip  
around fascia

50X25mm G.I  
Box bar

White colour  
LED Light strip  
around fascia



**DETAIL AT -X-**

White colour (Code RAL-9003)  
Composite fascia

**NOTE:**

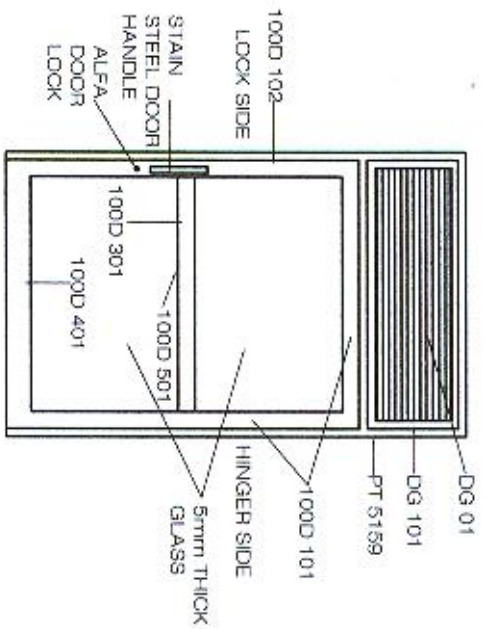
- A- 900mm dia logo 75mm wide Circular frame & figure with 3mm white perspex sheet completed with colour stickers & light fittings.
- B- 200mm wide red colour composite panel with 25mm thick embossed on fascia.
- C- Fabricate & installation of 400mm high red colour perspex sheet Boxed type letters finished with 75mm thick embossed.



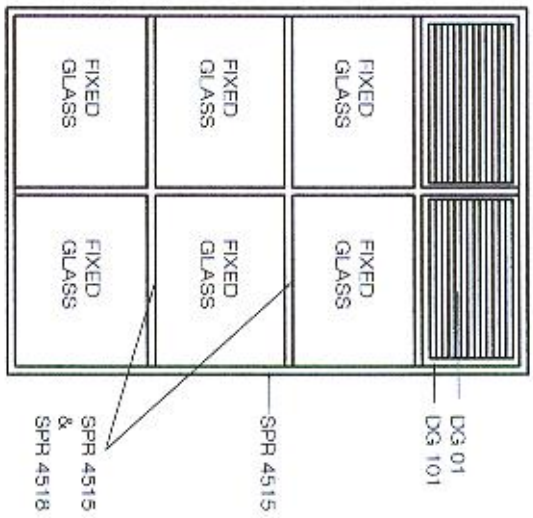
**CEYLON PETROLEUM  
CORPORATION**

ENGINEERING & PREMISES DEPARTMENT  
NO. 609,  
DR. DANISTER DE SILVA MAWATHA,  
DEMATTAGODA,  
COLOMBO -09.

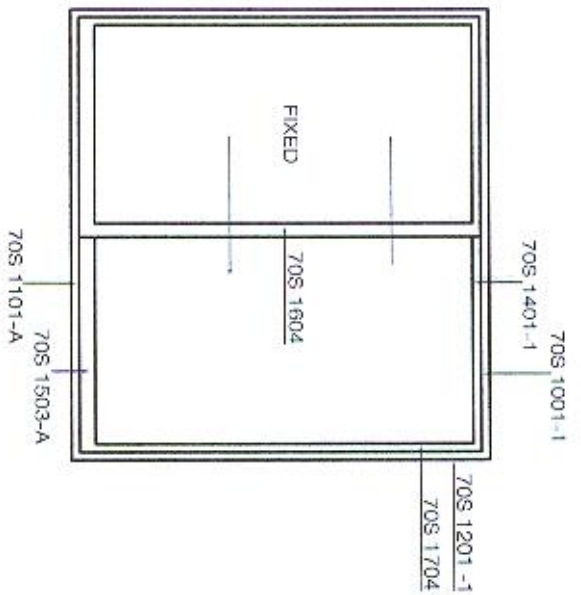
TP. NO. 5661717. 5661818  
FAX 5455408



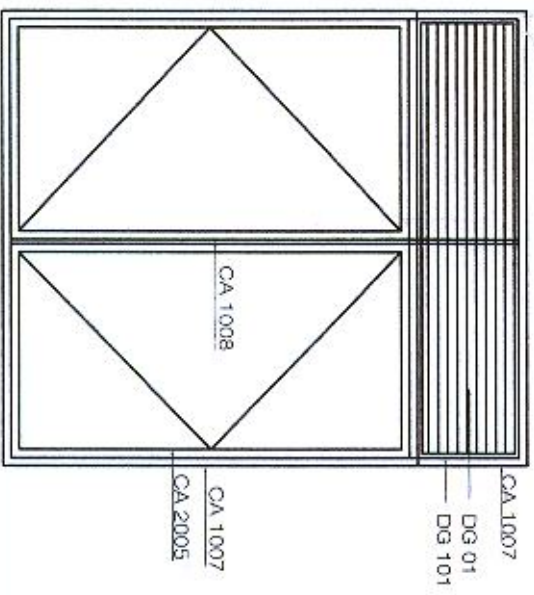
SWING DOOR



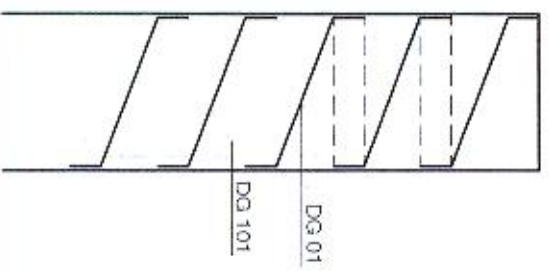
FIXED GLAZED WINDOW



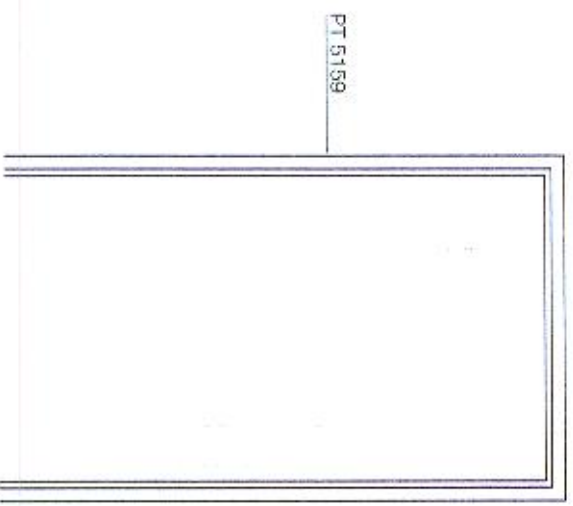
SLIDING WINDOW



CASEMENT WINDOW



LOUVER SECTION



DOOR FRAME

REV	DESCRIPTION	DATE
01		23.11.2004



CEYLON PETROLEUM CORPORATION

ENGINEERING PROJECT,  
109, ROTUNDA TOWER  
COLOMBO - 3  
T.P NO: 544296, 473644  
FAX NO: 473679

**PROJECT:**  
PROPOSED RE-STRUCTURING OF  
LANKA FILLING STATION

**TITLE:**  
DETAIL OF ALUMINIUM  
EXTRUSIONS

**DESIGN ENGINEER**  
I. M. DODDAGE

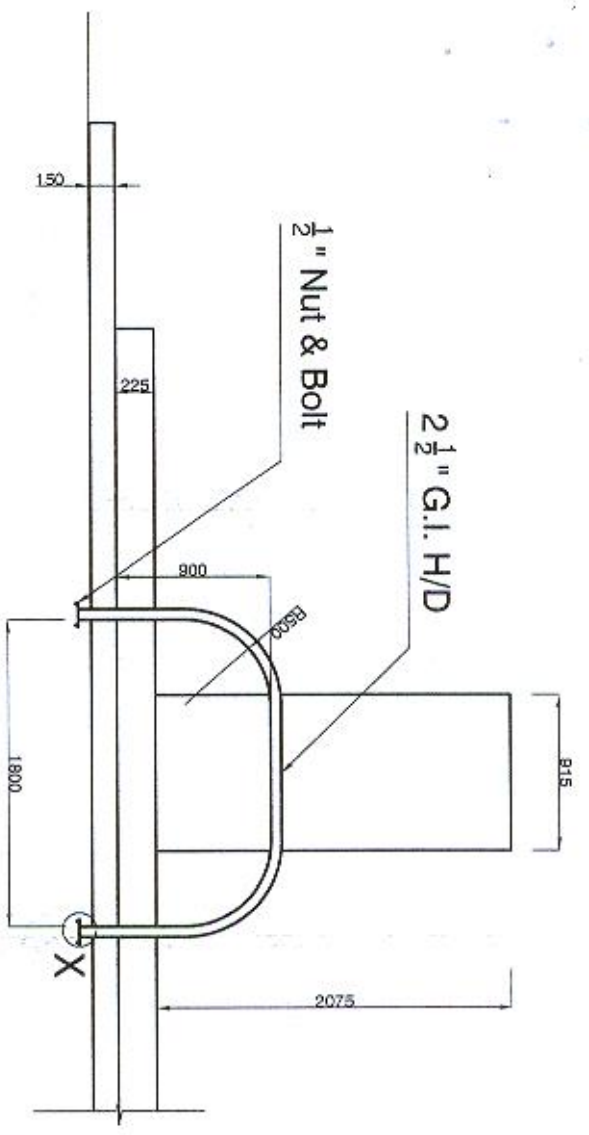
DRAWING NO: CE/P/ET/ENG/SK/0032

SCALE: NOT TO SCALE DATE: 17.08.05

DRAWN BY: SASHIKA

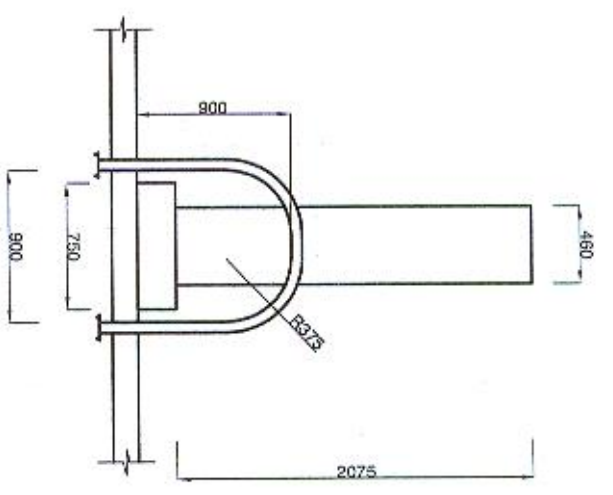
CHECKED BY:

APPROVED BY:



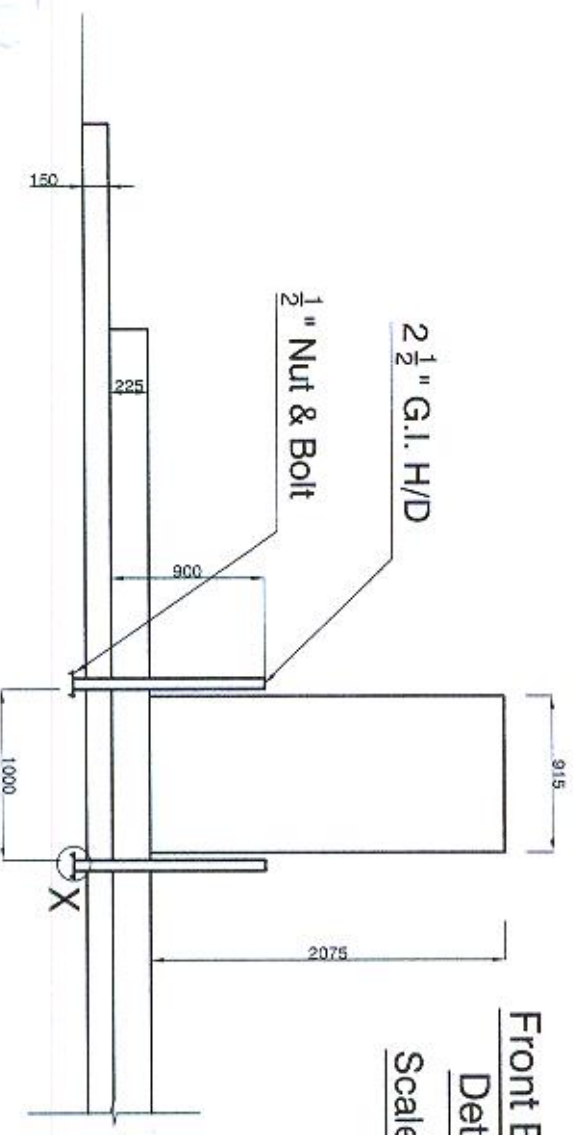
**Front Elevation - Detail 'A'**

**Scale- 1:50**



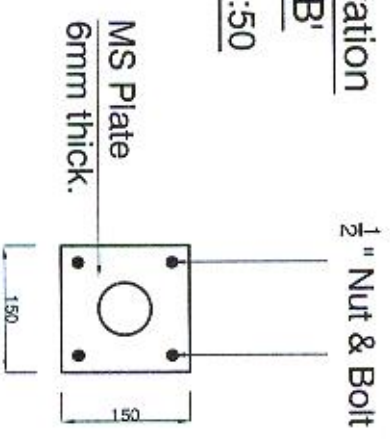
**Side Elevation - Detail 'C'**

**Scale- 1:50**



**Front Elevation  
Detail 'B'**

**Scale- 1:50**



**Detail at 'X'**

**Scale- 1:10**



**CEYLON PETROLEUM CORPORATION**

ENGINEERING PROJECT,  
109, ROTUNDA TOWER  
COLOMBO - 3.  
T.P. NO. 544296, 473814  
FAX NO. 473879

**PROJECT:**  
PROPOSED RE-STRUCTURING OF  
LANKA FILLING STATION

**TITLE:**  
DETAIL OF PUMP GUARDS

**DESIGN ENGINEER**  
I. M. GODAGE

**DRAWING NO.:** CEYPET / ENG / SK / 0080  
**SCALE:** 1:50  
**DATE:** 31.07.2005

**DRAWN BY:** SASHIKA

**CHECKED BY:**

**APPROVED BY:**