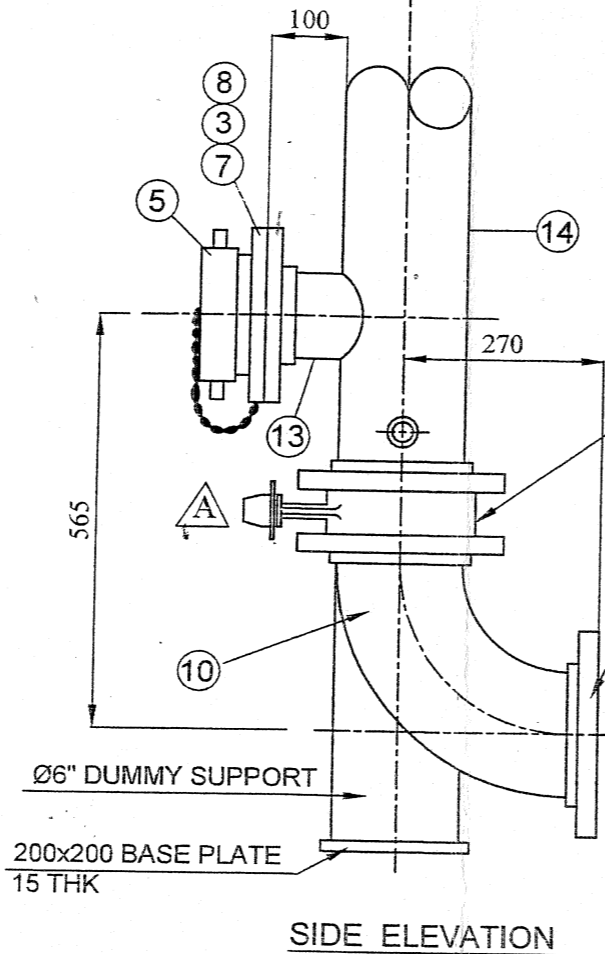
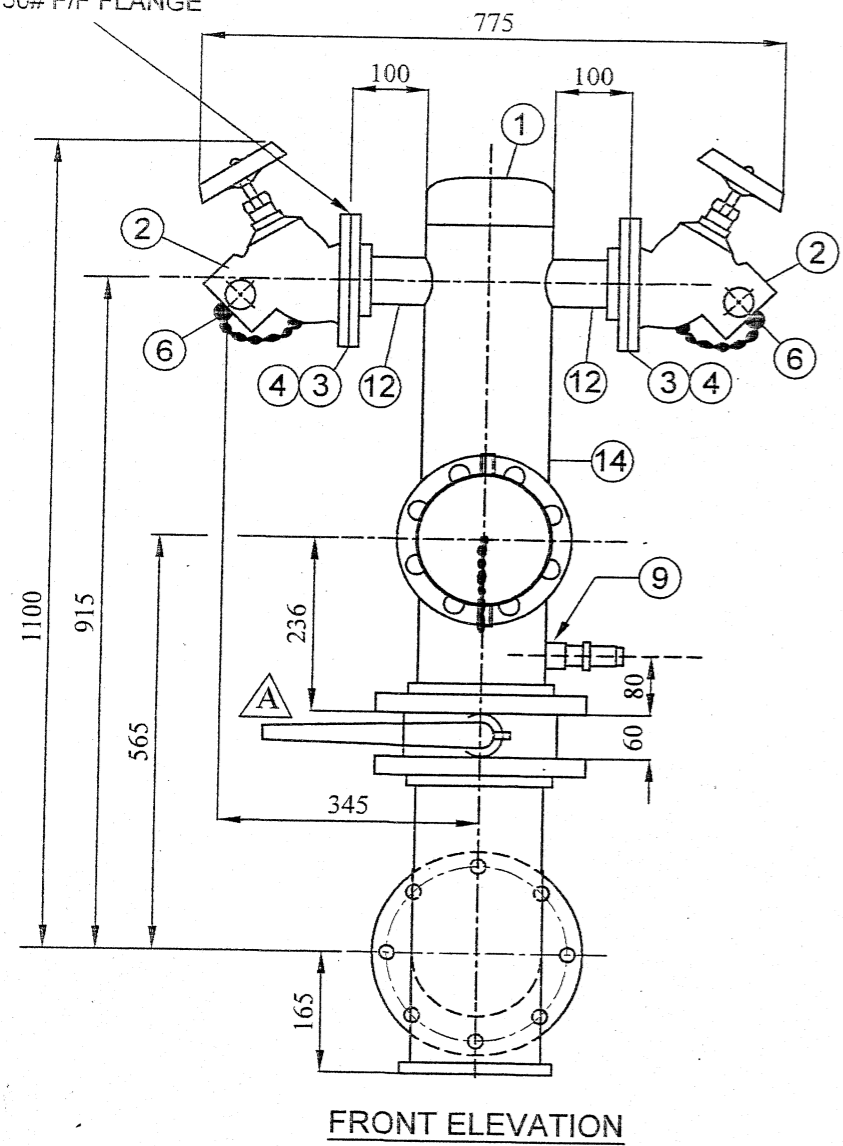


2 1/2" ANSI B16.5  
150# F/F FLANGE



BUTTERFLY VALVE SUPPLIED  
LOOSE BY ANGUS ALL  
INSTALLATION  
CONSUMABLES BY  
OTHERS

6"(150) SLIP ON WELD FLANGE  
TO ANSI B16.5, CLASS 150#, RAISED FACE.

Ø6" DUMMY SUPPORT  
200x200 BASE PLATE  
15 THK

ITEM No.	QTY	DESCRIPTION
1	1	6" PILLAR HYDRANT BARREL
2	2	2 1/2" BIB NOSE GLOBE HYDRANT VALVE
3	16	5/8" UNC x 3 1/2" STUD BOLTS C/W WITH TWO NUTS
4	2	2 1/2" 1.6 THK CAF GASKET TO SUIT ANSI B16.5 150# F/F FLANGE
5	1	4" BRASS CAP C/W ST. STL CHAIN
6	2	2 1/2" HYDRANT VALVE PLUG C/W ST STL CHAIN
7	1	4" ANSI B16.5 150# F/F 4" BSRT ADAPTOR
8	1	4"x 1.6 THK CAF GASKET TO SUIT ANSI B16.5 150# F/F FLANGE
9	1	3/4" NPT(M) AUTOMATIC BALL DRIP VALVE
10	1	6" 90° ELBOW ANSI B16.9 L.R
11	1	6" BUTTERFLY VALVE ANSI B16.5 150# R/F WATER PATTERN
12	-	2 1/2" PIPE ANSI B 36.10
13	-	4" PIPE ANSI B 36.10
14	-	6" PIPE ANSI B 36.10

- NOTES**
1. TOLERANCES ± 3mm
  2. ALL DIMENSIONS ARE IN "mm"

REV.	DATE	BY.	CHECK.	APPROVED	DESCRIPTION
B					FOR CONSTRUCTION
A	19/09/25	DIMUTH	<i>[Signature]</i>		BUTTERFLY VALVE INCLUDED
O	01/08/25	DIMUTH	<i>[Signature]</i>	<i>[Signature]</i> EK(P)	FOR COMMENTS

**6" FIRE HYDRANT ASSEMBLY DRAWING**

LOCATION:	PROJECT: 2524
CEYLON PETROLEUM CORPORATION REFINERY DIVISION SAPUGASKANDE	SCALE: DRAWING No: 9183