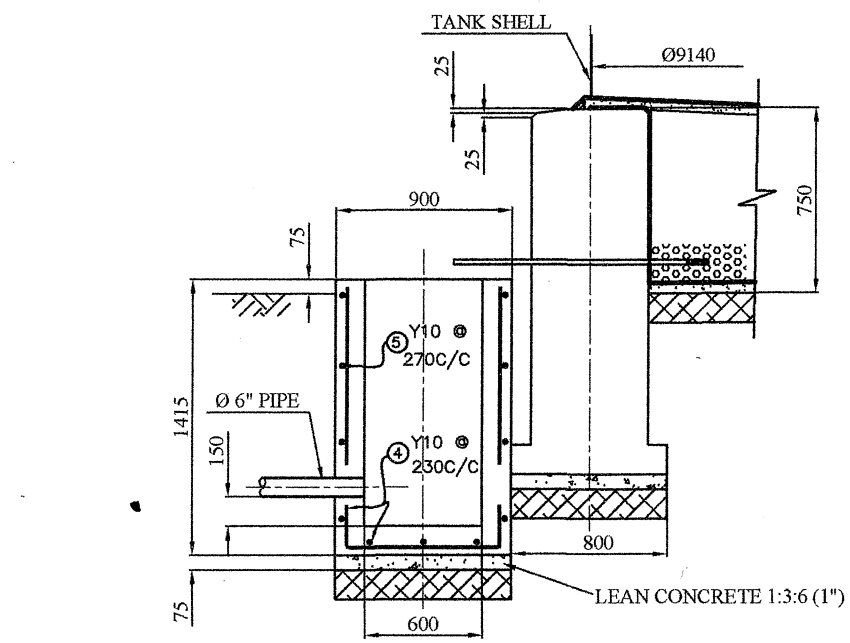
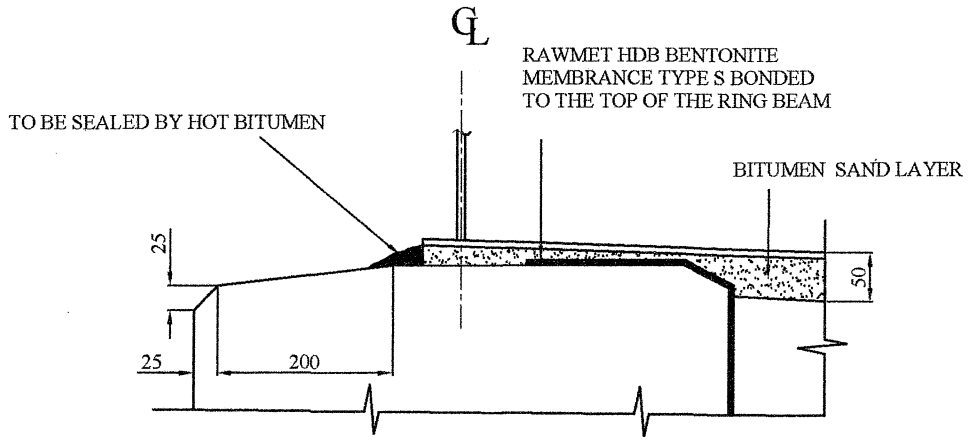


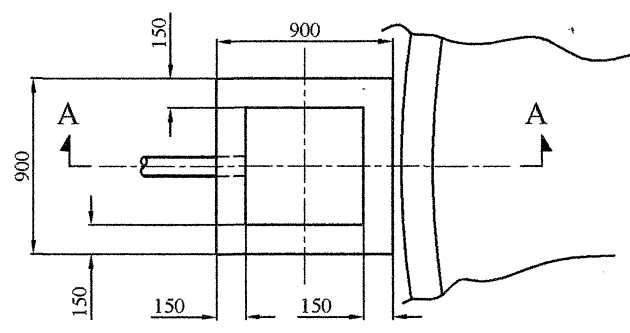
SECTIONAL ELEVATION OF TANK FOUNDATION



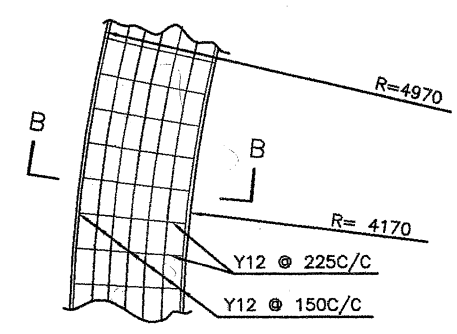
SECTION A-A



EDGE DETAIL



DETAIL OF SUMP PIT



SECTION B-B

BAR BENDING SCHEDULE												
BAR MARK	SIZE	TYPE	NO. OF BARS A UNIT	SHAPE	DIMENSION				NO. OF PIECES	CUT LENGTH	TOTAL LENGTH	WEIGHT cwt.
					a	b	c	d				
1	Ø12	T/S	02	D=8390 C=26358	6000				04		48000	0.84
					2358				01	2358	4716	0.08
	Ø12	T/S	02	D=8690 C=27300	6000				04		48000	0.84
					3300				01	3300	6600	0.11
	Ø12	T/S	02	D=8990 C=28243	6000				04		48000	0.84
					4243				01	4243	8486	0.15
	Ø12	T/S	02	D=9290 C=29185	6000				04		48000	0.84
					5185				01	5185	10370	0.18
	Ø12	T/S	02	D=9590 C=30128	6000				05		60000	1.06
					128				01	128	256	0.00
	Ø12	T/S	02	D=9890 C=31070	6000				05		60000	1.06
					1070				01	1070	2140	0.03
	Ø12	T/S	09	D=8590 C=26986	6000				04		216000	3.82
					2986				01	2986	26874	0.47
	Ø12	T/S	09	D=9690 C=30442	6000				05		270000	4.77
442								01	442	3978	0.07	
Ø12	T/S	01	D=9330 C=29311	6000				04		24000	0.42	
				5311				01	5311	5311	0.09	
Ø12	T/S	01	D=8970 C=28180	6000				04		24000	0.42	
				4180				01	4180	4180	0.07	
2	Ø12	T/S	01	b a	550	1625	-	-	127	4350	552450	9.77
3	Ø12	T/S	01	b a	750	100	-	-	127	1700	215900	3.81
4	Ø10	T/S	01	a b	1365	850	-	-	13	3580	46540	0.82
5	Ø10	T/S	01	b a	850	850	-	-	06	3400	20400	0.36
										TOTAL WEIGHT	9.85	

REFERENCE DRAWING				
A			FOR CONSTRUCTION.	
0	21/01/2020	DIMUTH	FOR COMMENTS.	
REV.	DATE	BY	APPROVED	DESCRIPTION
FOUNDATION & SUMP PIT DETAILS FOR NEW KEROSENE TANK - (DIA. 9140)				
LOCATION: TERMINAL		PROJECT: 1901T		
CEYLON PETROLEUM CORPORATION REFINERY DIVISION SAPUGASKANDE		SCALE: DRAWING No: 9029		