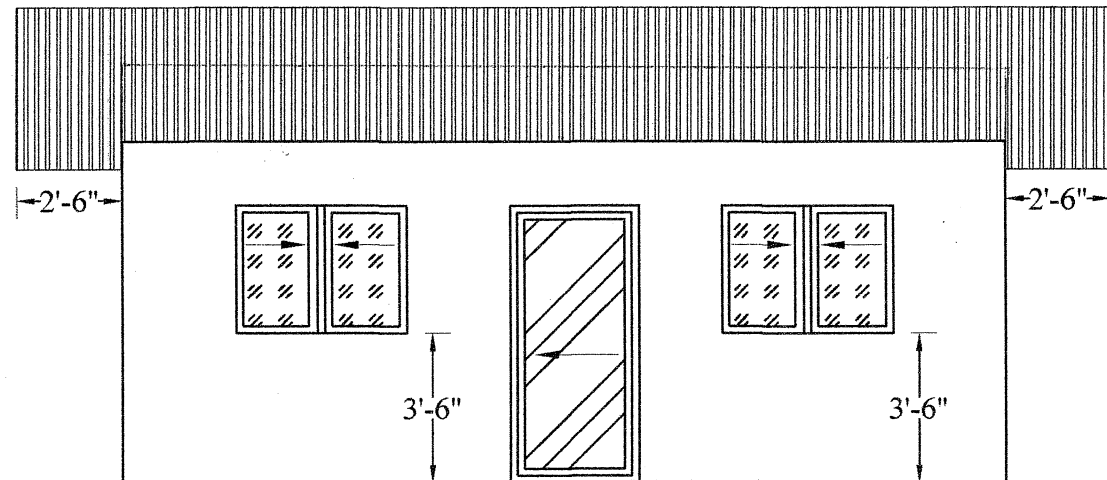
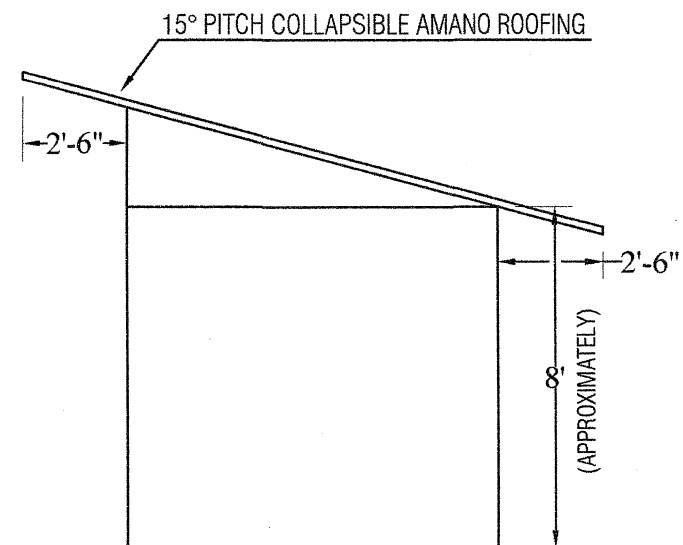


NOTES

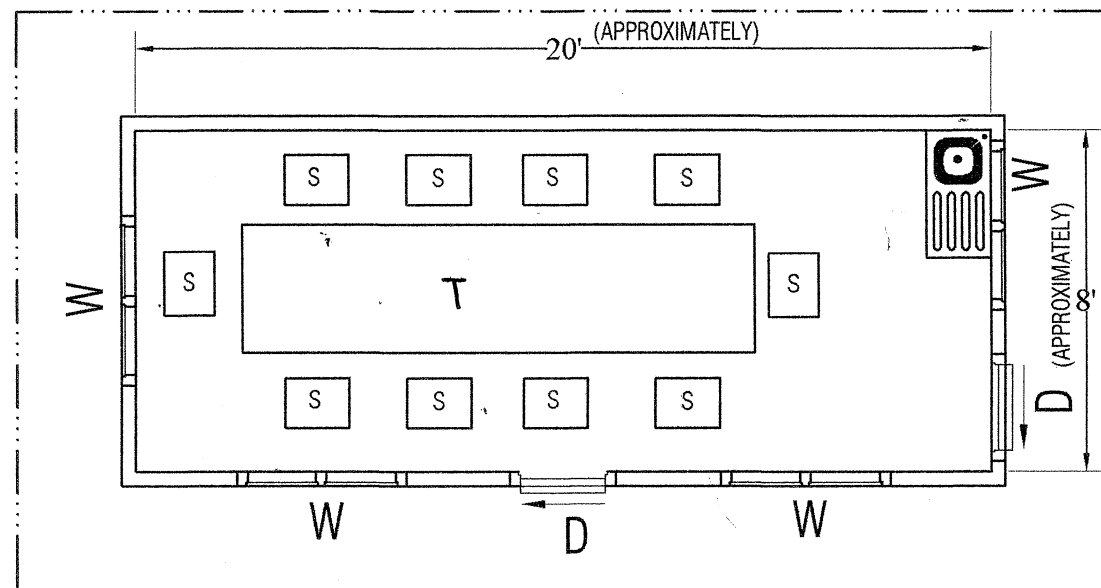


FRONT ELEVATION



SIDE ELEVATION

SCHEDULE OF DOOR & WINDOWS				
TYPE	WIDTH	HEIGHT	DESCRIPTION	NOS.
D	2'-6"	6'-6"	AI SLIDING DOOR	02
W	4'-0"	3'-0"	AI SLIDING WINDOW	04
T	3'-0"	12'-0"	TABLE	01
S	1'-6"	1'-2"	STOOL	10



PLAN

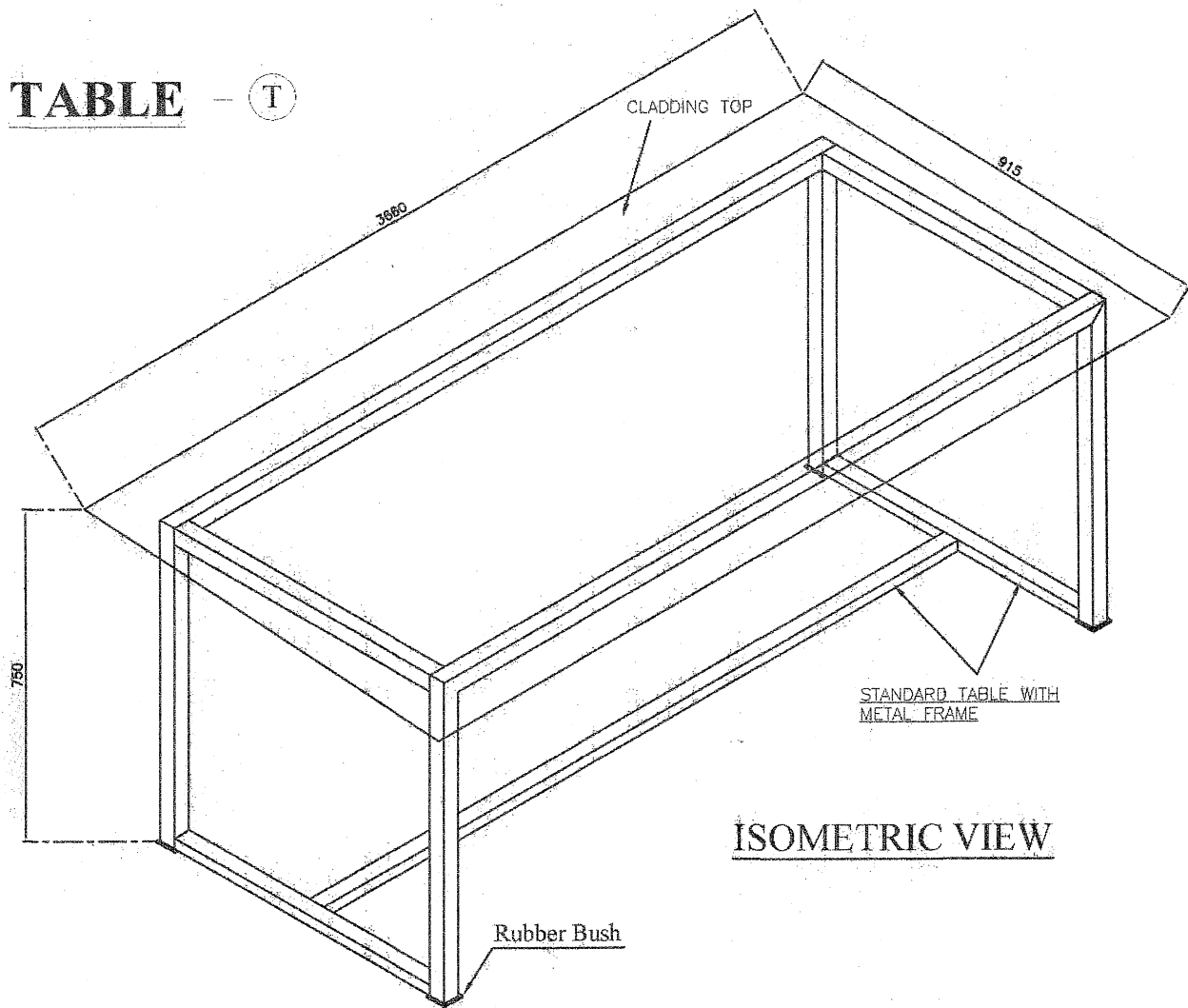
REFERENCE DRAWING

REV.	DATE	BY	APPROVED	DESCRIPTION
B				FOR CONSTRUCTION
A	28/11/21	S.R		COMMENTS INCLUDED
O	22/10/21	S.R		FOR COMMENTS

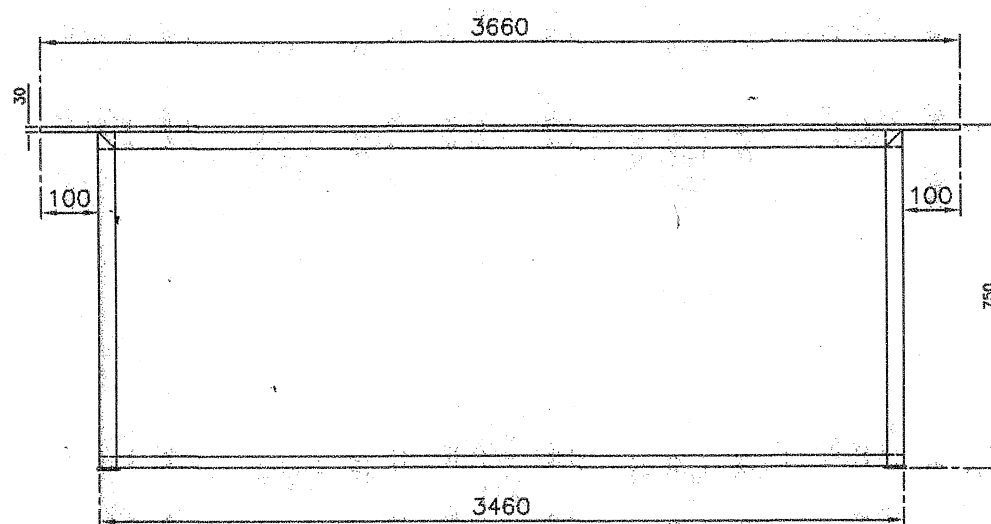
PRE FABRICATED SANDWICH PANEL CABIN

LOCATION: CEYLON PETROLEUM CORPORATION REFINERY DIVISION SAPUGASKANDE	PROJECT: SCALE: DRAWING No: 9097
--	--

TABLE - (T)

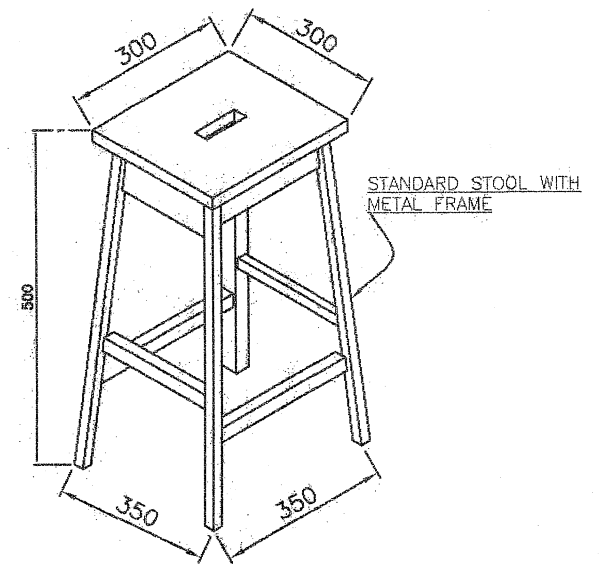


ISOMETRIC VIEW

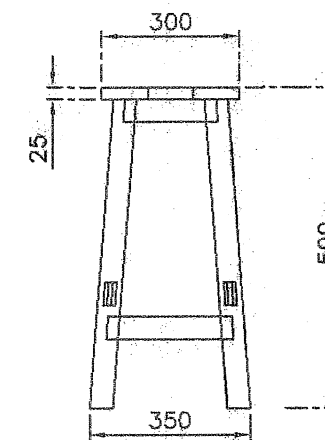


FRONT VIEW

STOOL - (S)



ISOMETRIC VIEW



FRONT VIEW

DRWG. NO.	REFERENCE DRAWINGS				
0	02/12/21	S.R			FOR COMMENTS
REV	DATE	BY	CHK.	APPROVED	DESCRIPTION
STOOL & TABLE FOR PRE FABRICATED SANDWICH PANEL CABIN					
LOCATION:-					PROJECT NO.
CEYLON PETROLEUM CORPORATION, REFINERY DIVISION, SAPUGASKANDA.					SCALE -
					DWG. NO. 8859