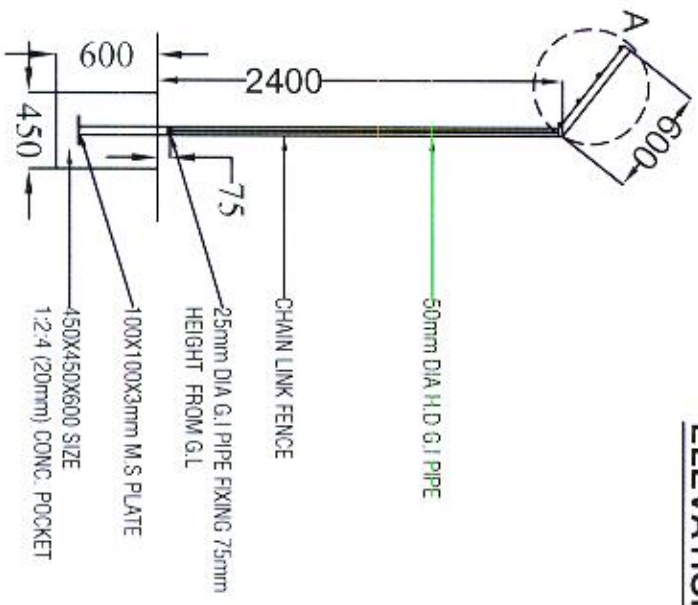
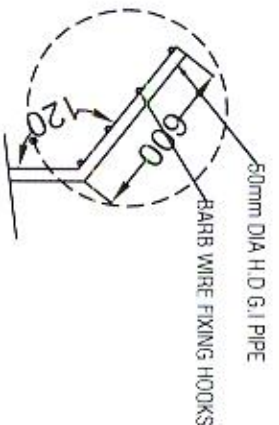


ELEVATION DETAIL



DETAIL OF COLUMN



DETAIL AT -A-



CEYLON PETROLEUM CORPORATION

ENGINEERING DEPARTMENT
 NO. 609,
 DR. DANISTER DE SILVA MAWATHA,
 DEMATAGODA,
 COLOMBO-09.
 TP. NO. 5455132, 5455133
 FAX 5455408

TITLE
DETAIL OF CHAIN LINK FENCE FOR RATHMALANA AVIATION

DRG NO: CEYPET / ENG / SK / 402 DATE: 17.11.2021
 DRAWN BY: PC-AB-PTW
 SCALE: 1:100 CHECKED BY: