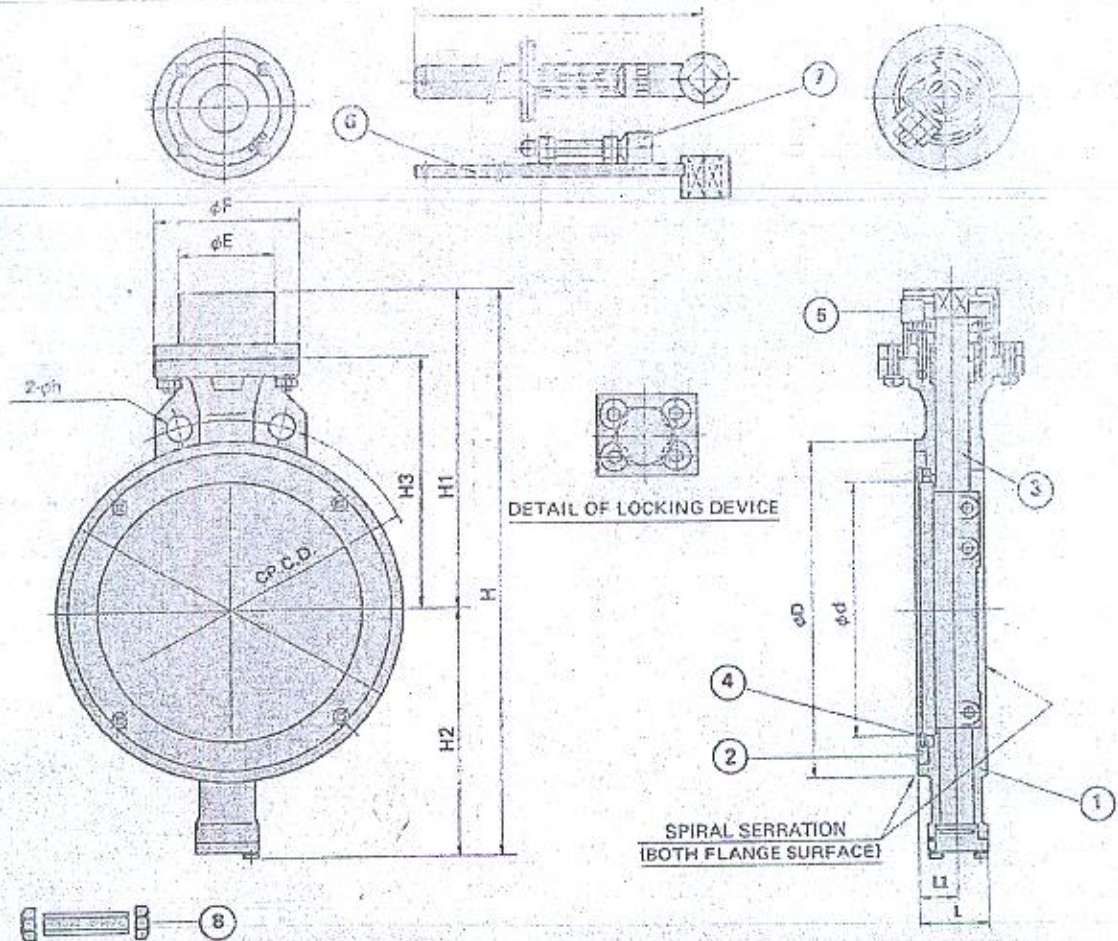


Butterfly Valve 12" ANSI 150 Connection



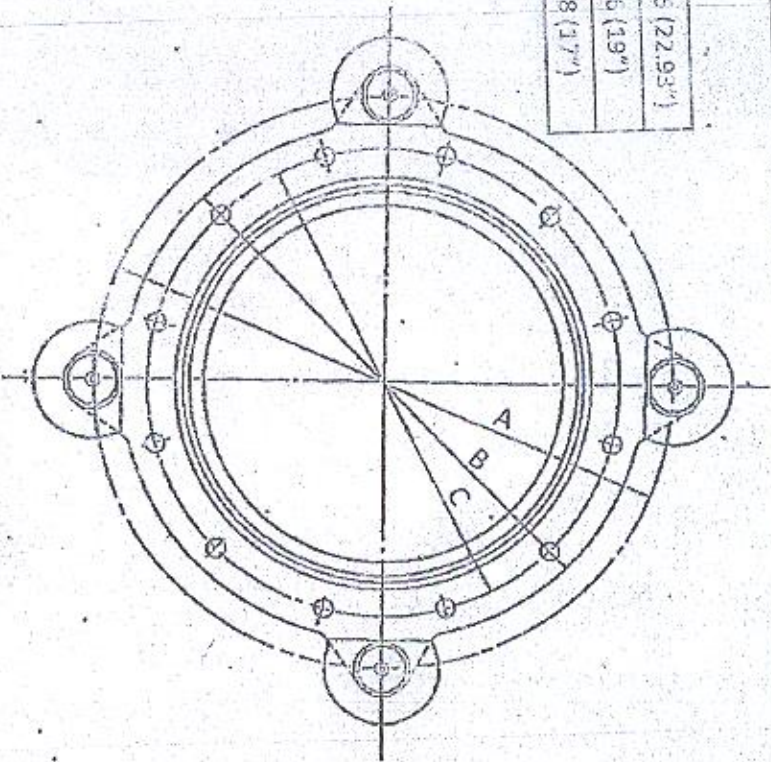
UNITS	FOR HOSE SIZE	DIMENSIONS													APPROX. WEIGHT	CONNECTING BOLT		
		d	D	C	h	L	L1	H	H1	H2	H3	E	F	W		Size	Length	Number
Metric (mm)	300	280	375	431.8	25	78	45	648	370	278	275	114	175	600	45 Kgs	7/8"-9T UNC	195	12
Imperial (Inch)	12"	11.02	14.76	17.00	0.98	3.07	1.77	25.49	14.57	10.93	10.83	4.5	6.89	23.62	99 lbs		7.68	

8	BOLT AND NUTS	ALLOY STEEL, ASTM A 193 GR. B7 & ASTM A 194 GR. 2H Carbon Resin Coated
7	SOCKET WRENCH	ROLLED STEEL JIS G 3101, SS41
6	HANDLE	ROLLED STEEL JIS G 3101, SS41
5	STOPPER	STAINLESS STEEL 304 SS
4	SEAT	VITON RUBBER
3	SHAFT	STAINLESS STEEL 304 SS
2	WAFER	STAINLESS STEEL CASTING JIS G 5121 SC5-13
1	BODY	JIS GS151, SCPH2
NO.	NAME	MATERIAL

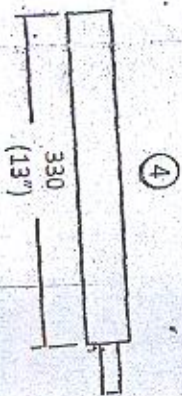
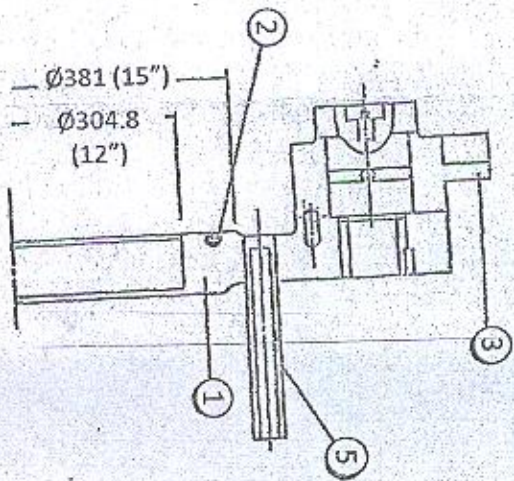
BUTTERFLY VALVE
 (LEVER OPERATED TYPE)
 (FOR 12" ANSI 150# FLANGE)

STUDDED CAMLOCK FLANGE 12"

A	Ø 582.5 (22.93")
B	Ø 492.6 (19")
C	Ø 431.8 (17")



5	Centering Stud & Nut	Alloy Steel, ASTM A 193 Gr. B7 & ASTM A 194 Gr. 2H
4	Washer	Rollad Steel, JIS G 3101, S40SC
3	Cam	Carbon Steel, JIS G 4051, S45C
2	Ø7 Ring	ANR
1	Flange	ANSI Class 150, ASTM A 305 or JIS G 4051 S25C
W.C.	WASHER	MATERIAL



STUDDED CAMLOCK FLANGE (12")